

HONDA NH125

AERO/LEAD

PARTS LIST

OCTOBER 2006

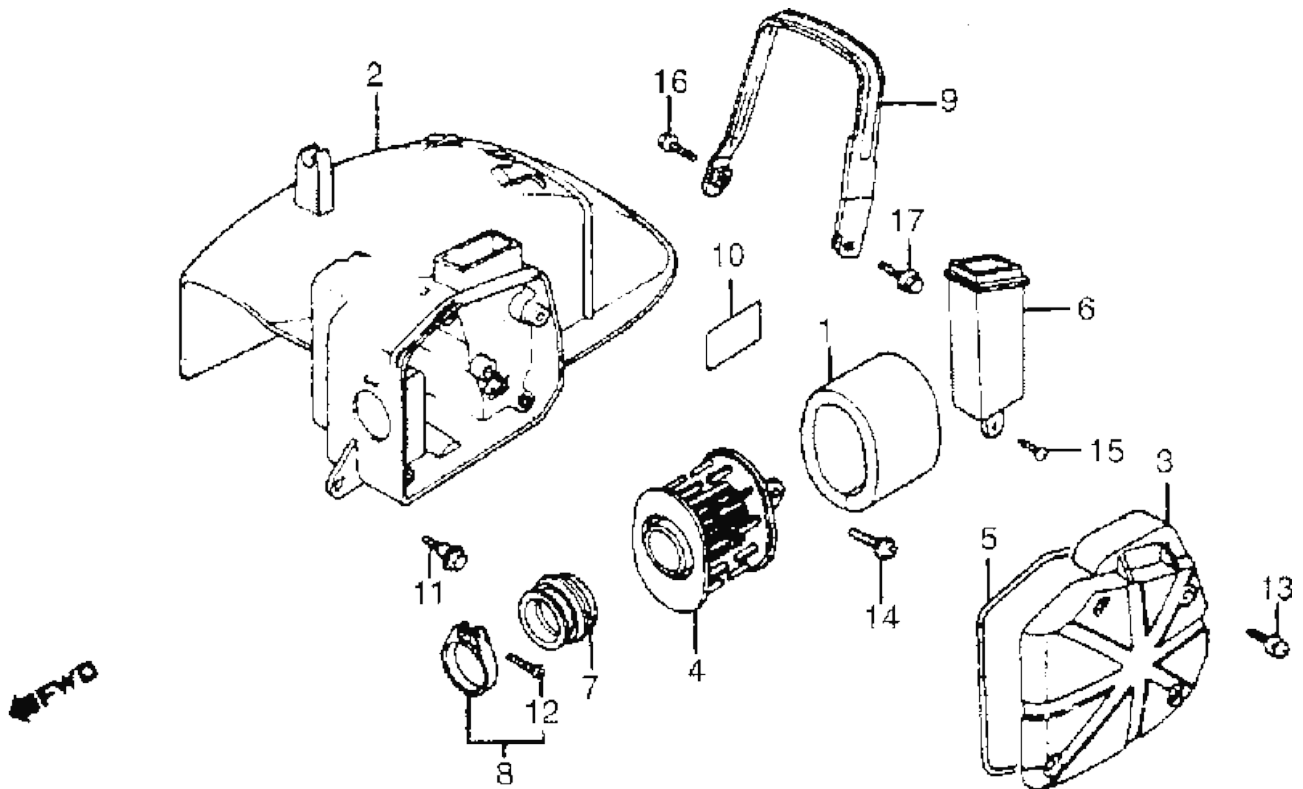
PARTS DESCRIPTIONS TAKEN FROM CMSNL.COM
PARTS IMAGES TAKEN FROM POWERSPORTSPRO.COM

PDF BY: MATT dot SEPHTON at GMAIL dot COM

CONTENTS

AIR CLEANER
ALTERNATOR
BATTERY
CARBURETOR
CENTER COVER/BODY COVER
CONTROL LEVERS, CABLES & SWITCHES
CRANKCASE & OIL PUMP
CRANKSHAFT & PISTON
CYLINDER HEAD
DRIVE FACE
DRIVEN FACE
EXHAUST MUFFLER
FAN COVER/SHROUD/AIR GUIDE COVER
FLOOR PANEL/FLOOR BOARD
FRAME BODY
FRAME BODY, REAR COVER & GRAB RAIL
FRONT COVER & INNER BOX
FRONT FENDER
FRONT FORK
FRONT WHEEL
FUEL TANK
GASKET KIT
HANDLEBAR, HANDLEBAR COVER & WIND SCREEN
HEADLIGHT, FRONT HANDLEBAR COVER
INSTRUMENTS
LABEL
LEFT SIDE COVER
OIL TANK
REAR SHOCK ABSORBER
REAR WHEEL
SEAT
STAND & REAR BRAKE PEDAL
STARTER MOTOR
STRIPE
TAILLIGHT
TOOLS
TRANSMISSION
TURN SIGNAL
WIRE HARNESS & IGNITION COIL

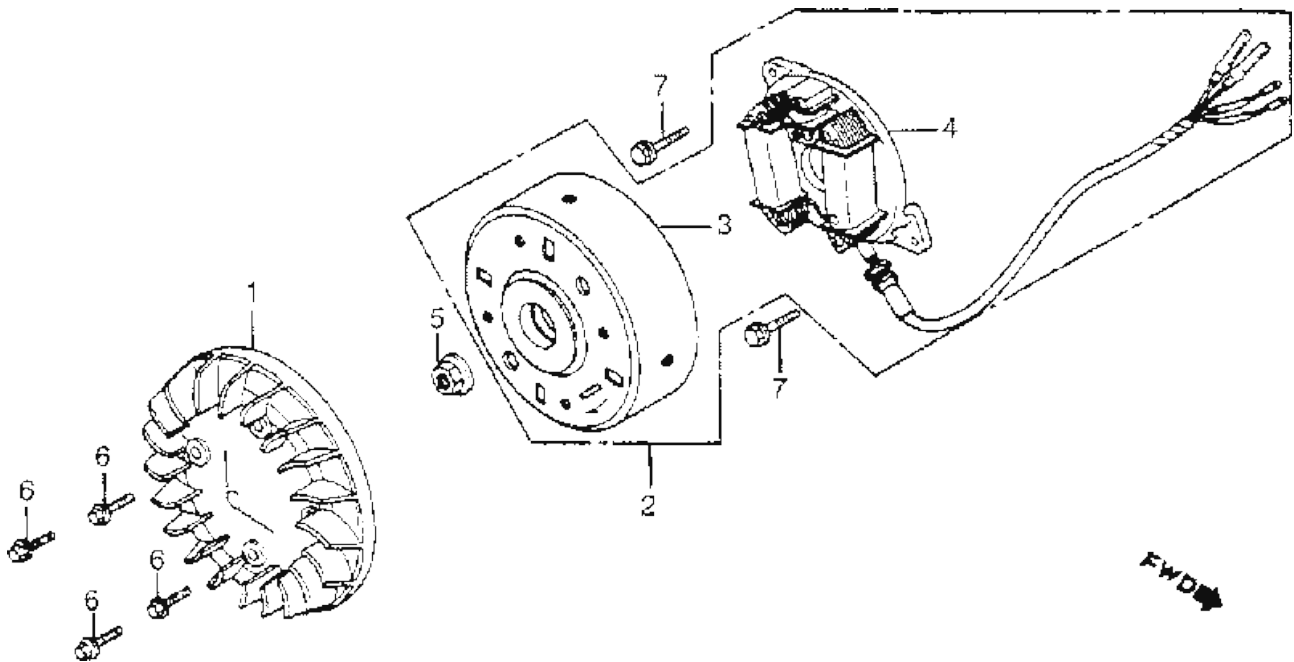
Air Cleaner



#	DESC	GUIDE
1	ELEMENT, AIR CLEANER	\$6.58
2	HOUSING, AIR CLEANER	\$95.44
3	COVER, A/CLNR HSG	\$23.02
4	HOLDER, A/CLNR ELEM	\$18.84
5	SEAL	\$5.78
6	DUCT, A/CLNR HSG	\$14.33
7	TUBE	\$7.98
8	BAND A, A/CLNR TUBE	\$4.35
9	STAY, RR. FENDER	\$17.65
10	LABEL	\$3.25
11	BOLT, FLANGE (6MM)	\$2.09
12	SCREW, PAN (5X20)	\$0.40
13	SCREW-WASHER (5X20)	\$0.52
14	SCREW-WASHER (6X12)	\$0.60
15	SCREW, TAP (4X10)	\$0.40
16	BOLT, FLANGE (6X12)	\$0.62
17	BOLT, FLANGE (6X25)	\$0.73

[BACK TO CONTENTS](#)

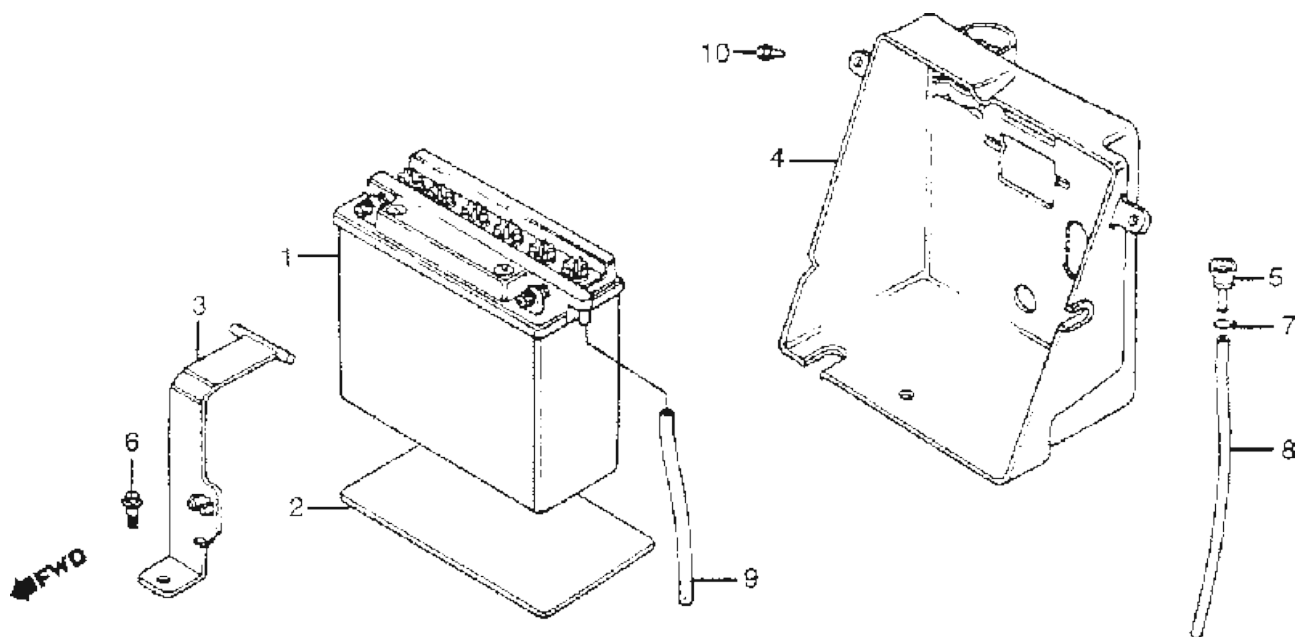
Alternator



#	DESC	GUIDE
1	FAN COMP., COOLING	\$22.20
2	ALTERNATOR ASSY.	\$168.77
3	ROTOR COMP.	\$148.44
4	STATOR COMP.	\$101.11
5	NUT, HEX. (10MM)	\$3.31
6	BOLT, FLANGE (6X12)	\$0.68
7	BOLT, FLANGE (6X20)	\$0.75

[BACK TO CONTENTS](#)

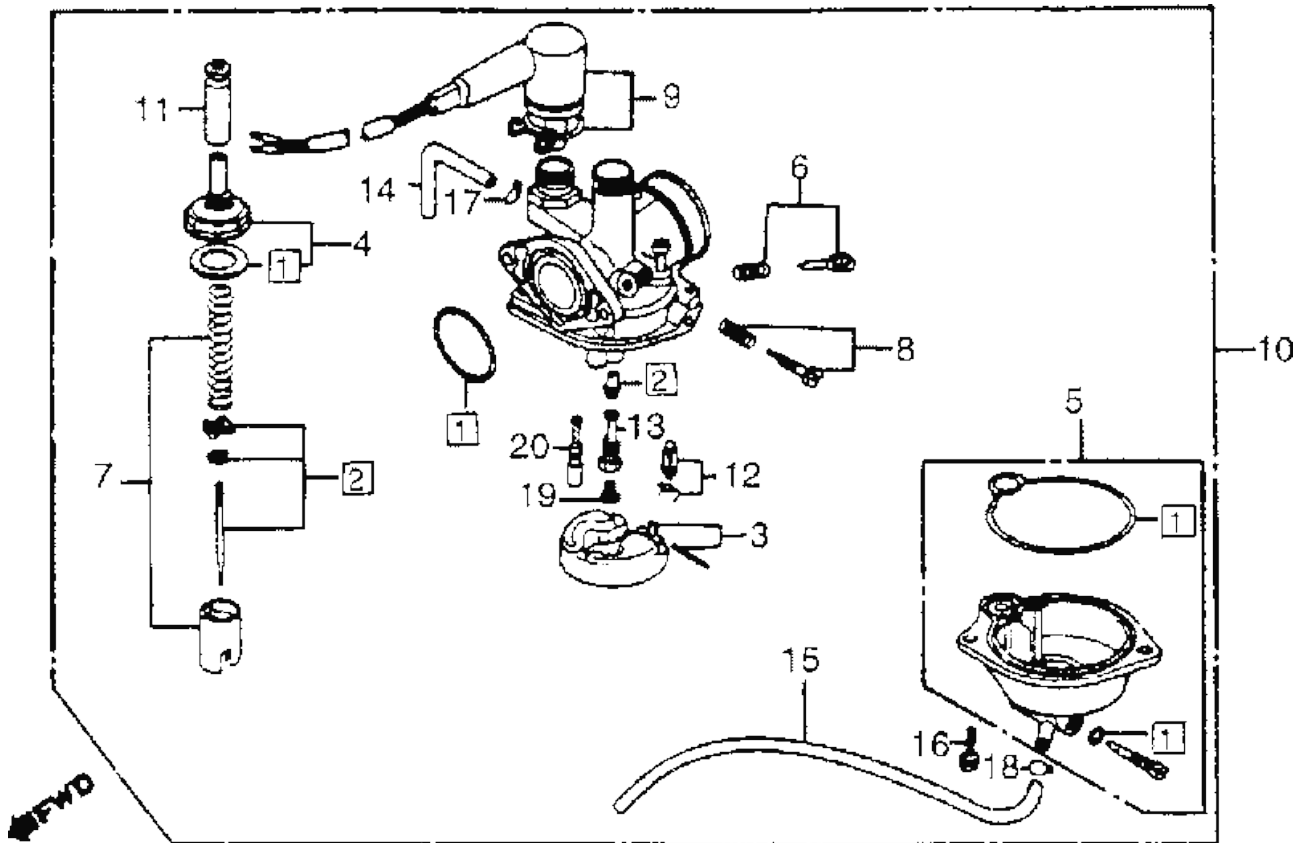
Battery



#	DESC	GUIDE
1	BATTERY (FB5L-B-CA)	\$36.67
1	BATTERY (YB5L-B-CA)	\$36.67
2	RUBBER, BATTERY	\$3.27
3	SUPPORT, BATTERY	\$7.25
4	BOX, BATTERY	\$21.33
5	JOINT, TUBE	\$3.45
6	BOLT, FLANGE (6MM)	\$2.09
7	CLIP, TUBE (B8)	\$0.63
8	TUBE (4.5X250)	\$1.47
9	BULK HOSE (5X3000)	\$10.80
10	BOLT, FLANGE (6X14)	\$0.58

[BACK TO CONTENTS](#)

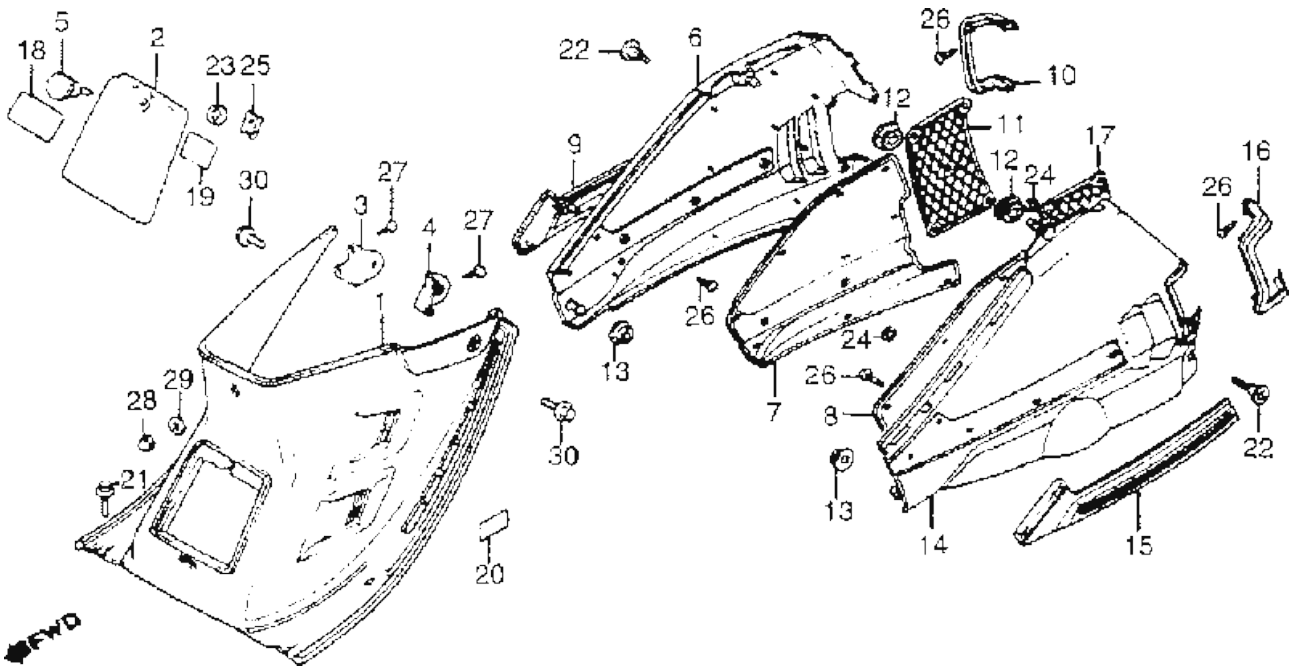
Carburetor



#	DESC	GUIDE
1	GASKET SET	\$26.11
2	NEEDLE SET, JET	\$21.33
3	FLOAT SET	\$34.22
4	TOP SET	\$34.22
5	CHAMBER SET, FLOAT	\$63.05
6	SCREW SET	\$11.64
6	SCREW SET A	\$11.64
7	VALVE SET, THROTTLE	\$26.73
8	SCREW SET B	\$10.71
9	BYSTARTER SET, AUTO	\$62.44
10	CARBURETOR ASSY.	\$140.69
11	CAP, CABLE SEALING	\$10.84
12	VALVE COMP., FLOAT	\$15.80
13	HOLDER, NEEDLE JET	\$29.66
14	TUBE, AIR VENT	\$4.94
15	TUBE, OVERFLOW	\$6.80
16	SCREW-WASHER (4X14)	\$0.52
17	CLIP, TUBE (B8)	\$0.63
18	CLIP, TUBE (B6.5)	\$0.63
19	JET, MAIN (#100)	\$8.25
19	JET, MAIN (#105)	\$8.25
20	JET, SLOW (#40)	\$14.22

[BACK TO CONTENTS](#)

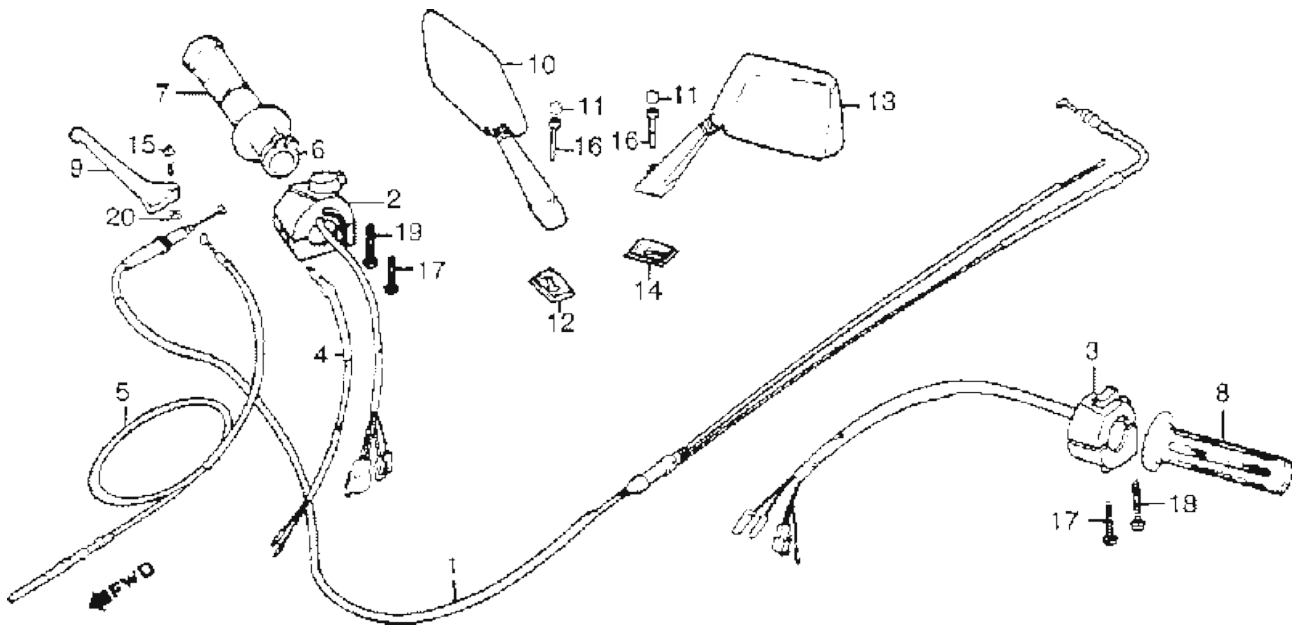
Center Cover/Body Cover



#	DESC	GUIDE	#	DESC	GUIDE
1	COVER COMP. *NH122*	\$117.60	21	BOLT, FLANGE (6MM)	\$2.09
2	COVER *NH122*	\$27.93	22	BOLT, COVER SETTING	\$2.96
3	STAY, R.	\$4.27	23	NUT, SPEED	\$1.49
4	STAY, L.	\$4.27	24	NUT, SPEED (3MM)	\$2.15
5	KNOB, BATTERY COVER	\$12.44	25	NUT, CLIP (6MM)	\$2.63
6	COVER, R. *YR118MS*	\$117.09	26	SCREW, TAP (4X12)	\$0.40
6	COVER, R. BODY *R4C*	\$114.24	27	SCREW, TAP (4X10)	\$0.29
7	PANEL, R. HEAT PROOF	\$22.51	28	NUT, CAP (6MM)	\$0.83
8	PANEL, L. HEAT PROOF	\$22.51	29	WASHER, PLAIN (6MM)	\$0.45
9	MOLDING A, R. RR.	\$39.35	30	BOLT, FLANGE (6X10)	\$0.65
10	MOLDING B, R. RR.	\$23.95			
11	NET, R. RR.	\$19.87			
12	GROMMET, A/CLNR HSG	\$2.96			
13	GROMMET, SIDE COVER	\$2.00			
14	COVER, L. *YR118MS*	\$114.13			
14	COVER, L. BODY *R4C*	\$93.09			
15	MOLDING A, L. RR.	\$39.35			
16	MOLDING B, L. RR.	\$23.95			
17	NET, L. RR.	\$19.87			
18	LABEL, CAUTION *NH0*	\$4.51			
19	LABEL	\$3.69			
20	LABEL, HELMET HOLDER	\$1.55			

[BACK TO CONTENTS](#)

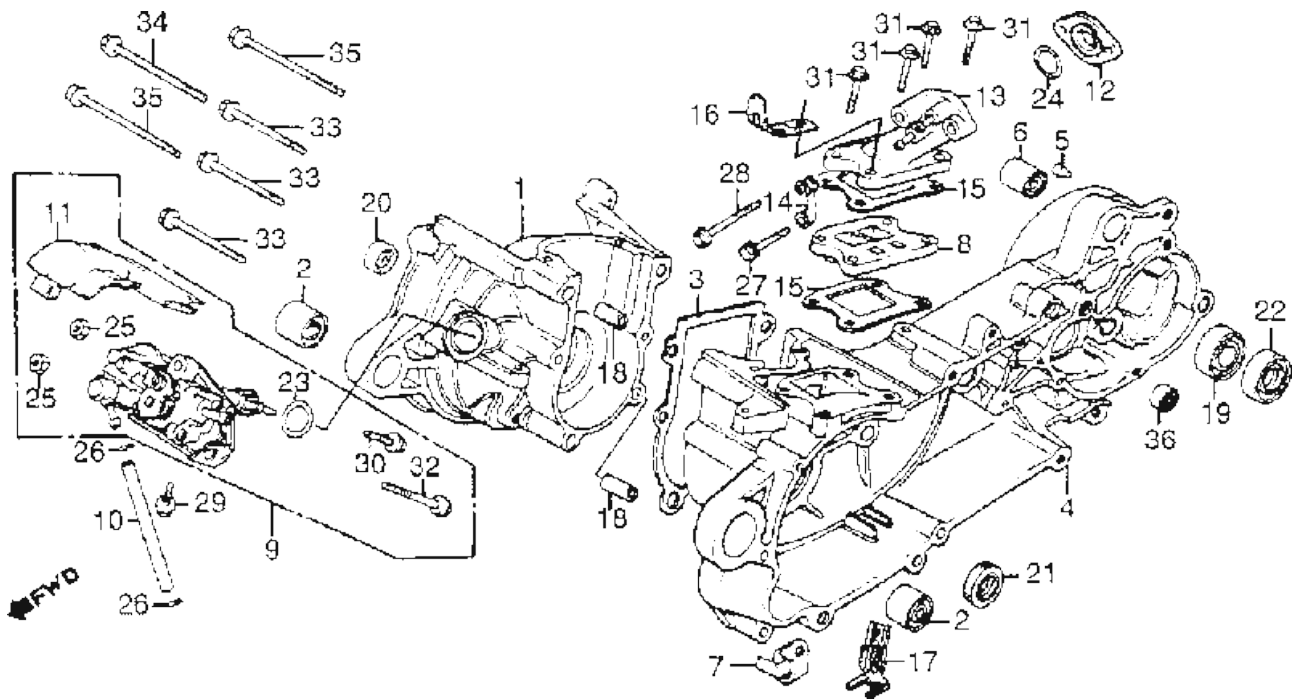
Control Levers, Cables & Switches



#	DESC	GUIDE
1	CABLE, THROTTLE	\$22.32
2	SWITCH, STARTER KILL	\$77.22
3	SWITCH, TURN SIGNAL	\$84.36
4	SWITCH, FR. STOP	\$10.07
5	CABLE, FR. BRAKE	\$12.33
6	PIPE, THROTTLE GRIP	\$9.20
7	GRIP, R. HANDLE	\$3.65
8	GRIP, L. HANDLE	\$3.65
9	LEVER, R. HANDLEBAR	\$12.60
10	MIRROR, R.	\$40.70
10	MIRROR, R. *NH1*	\$40.70
11	CAP (8MM)	\$1.80
12	SEAT, R. MIRROR	\$4.33
13	MIRROR, L.	\$40.70
13	MIRROR, L. *NH1*	\$40.70
14	SEAT, L. MIRROR	\$6.45
15	SCREW	\$2.49
16	BOLT, SOCKET (8X45)	\$4.02
17	SCREW, PAN (5X28)	\$0.43
18	SCREW, PAN (5X35)	\$0.52
19	SCREW, PAN (5X40)	\$0.37
20	NUT,HEX.(5MM)-0S	\$0.42

[BACK TO CONTENTS](#)

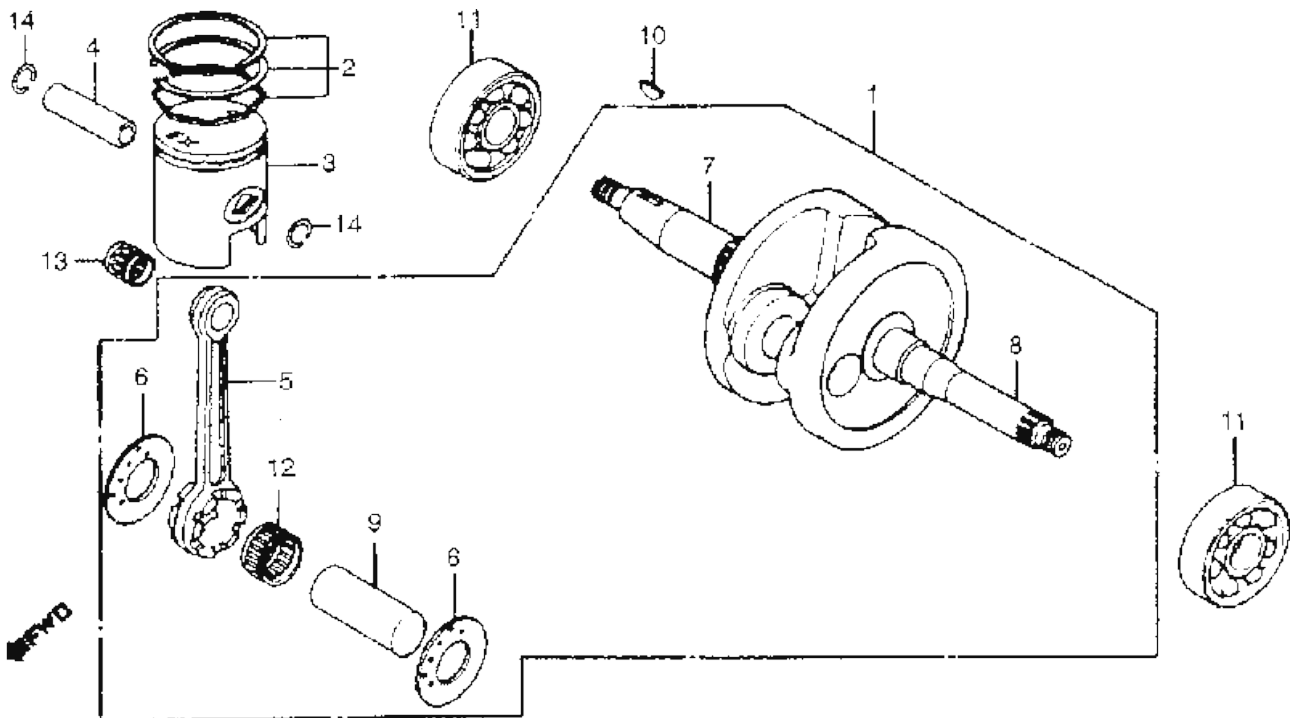
Crank Case & Oil Pump



#	DESC	GUIDE	#	DESC	GUIDE
1	CRANKCASE, R.	\$133.45	21	OIL SEAL (22X33X7)	\$8.65
2	BUSH, ENG HGR RUB	\$10.67	22	OIL SEAL (24X40X7)	\$6.07
3	GASKET, CRANKCASE	\$3.18	23	O-RING (18.3X2.3)	\$1.22
4	CRANKCASE, L.	\$228.22	24	O-RING (26.9X2.4)	\$1.65
5	RUBBER, SPRING GUIDE	\$1.84	24	O-RING (27X2.4)	\$1.65
6	BUSH, RR. (LOWER)	\$7.02	25	NUT, HEX. (6MM)	\$0.22
7	CLIP, BRAKE CABLE	\$3.84	26	CLIP, TUBE (B6.5)	\$0.63
8	VALVE COMP., REED	\$31.76	27	BOLT, FLANGE (6X28)	\$0.75
9	PUMP ASSY., OIL	\$148.36	28	BOLT, FLANGE (6X40)	\$0.75
10	TUBE, OIL PASS	\$4.68	29	BOLT, FLANGE (6X14)	\$0.75
11	INSULATOR, OIL PUMP	\$8.15	30	BOLT, FLANGE (6X18)	\$0.75
12	INSULATOR	\$8.55	31	BOLT, FLANGE (6X32)	\$0.95
13	PIPE COMP., IN.	\$38.91	32	BOLT, FLANGE (6X35)	\$0.91
14	STAY, TUBE	\$4.00	33	BOLT, FLANGE (6X50)	\$1.05
15	GASKET, IN. PIPE	\$2.87	34	BOLT, FLANGE (6X65)	\$1.24
16	CLIP, WIRE HARNESS	\$3.13	35	BOLT, FLANGE (6X70)	\$1.24
17	CLAMP, WIRE	\$6.02	36	BEARING (6201)	\$7.23
18	PIN, DOWEL (10X23)	\$2.22			
19	BEARING (6203UU)	\$22.95			
20	OIL SEAL (20X30X7)	\$5.42			

[BACK TO CONTENTS](#)

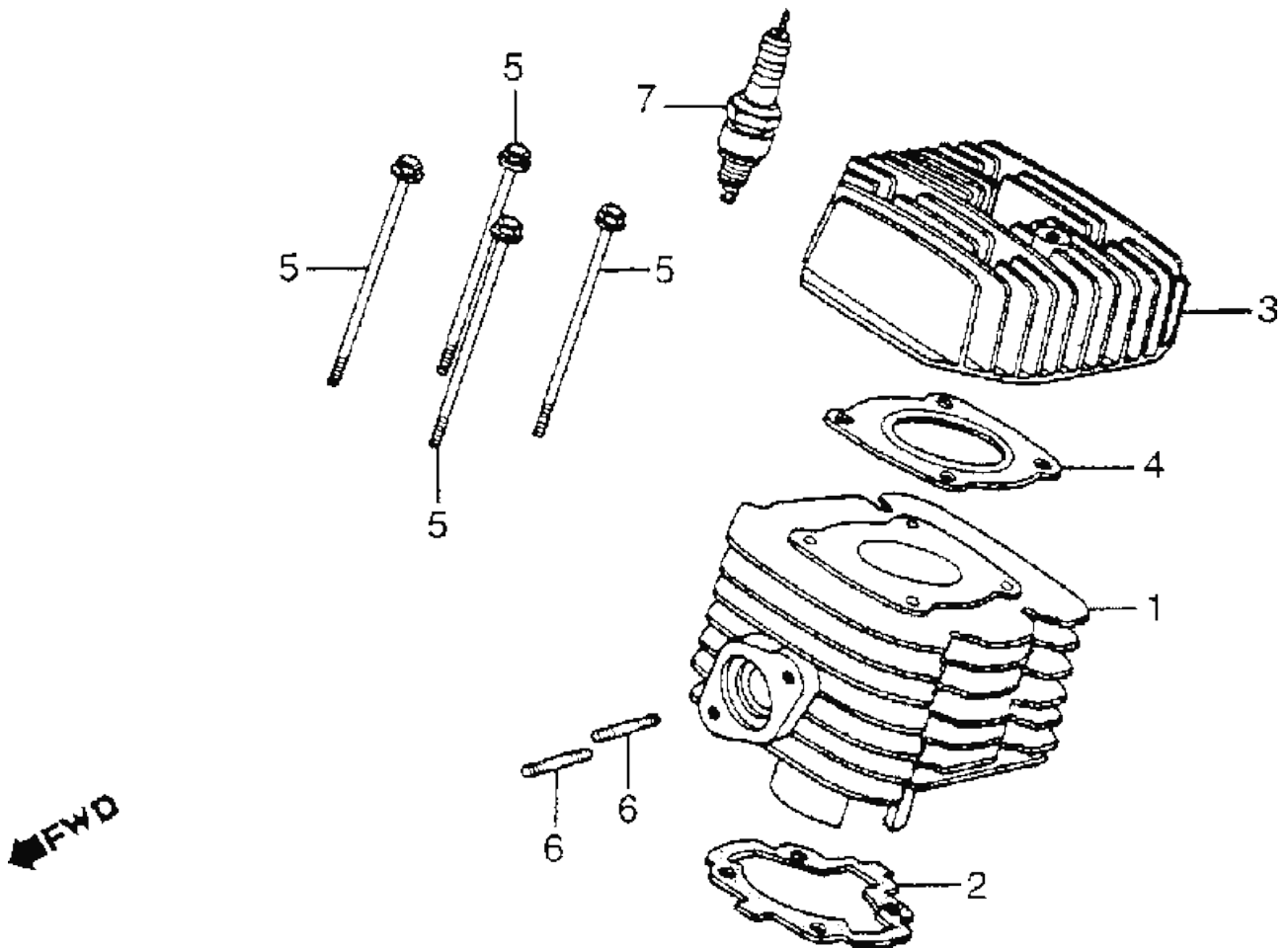
Crank Shaft & Piston



#	DESC	GUIDE
1	CRANKSHAFT COMP.	\$193.33
2	RING SET (OS 0.25)	\$24.42
2	RING SET (OS 0.50)	\$24.42
2	RING SET, PISTON	\$27.42
3	PISTON	\$54.42
3	PISTON (OS 0.25)	\$46.35
3	PISTON (OS 0.50)	\$46.35
4	PIN, PISTON	\$11.92
5	ROD, CONNECTING	\$60.20
6	PLATE	\$4.82
7	CRANKSHAFT, R.	\$108.27
8	CRANKSHAFT, L.	\$108.27
9	PIN, CRANKSHAFT	\$19.04
10	KEY (25X14X4)	\$2.55
10	KEY, WOODRUFF (4MM)	\$2.55
11	BEARING, RADIAL BALL	\$15.42
12	BEARING	\$17.15
14	CLIP (14MM)	\$0.51

[BACK TO CONTENTS](#)

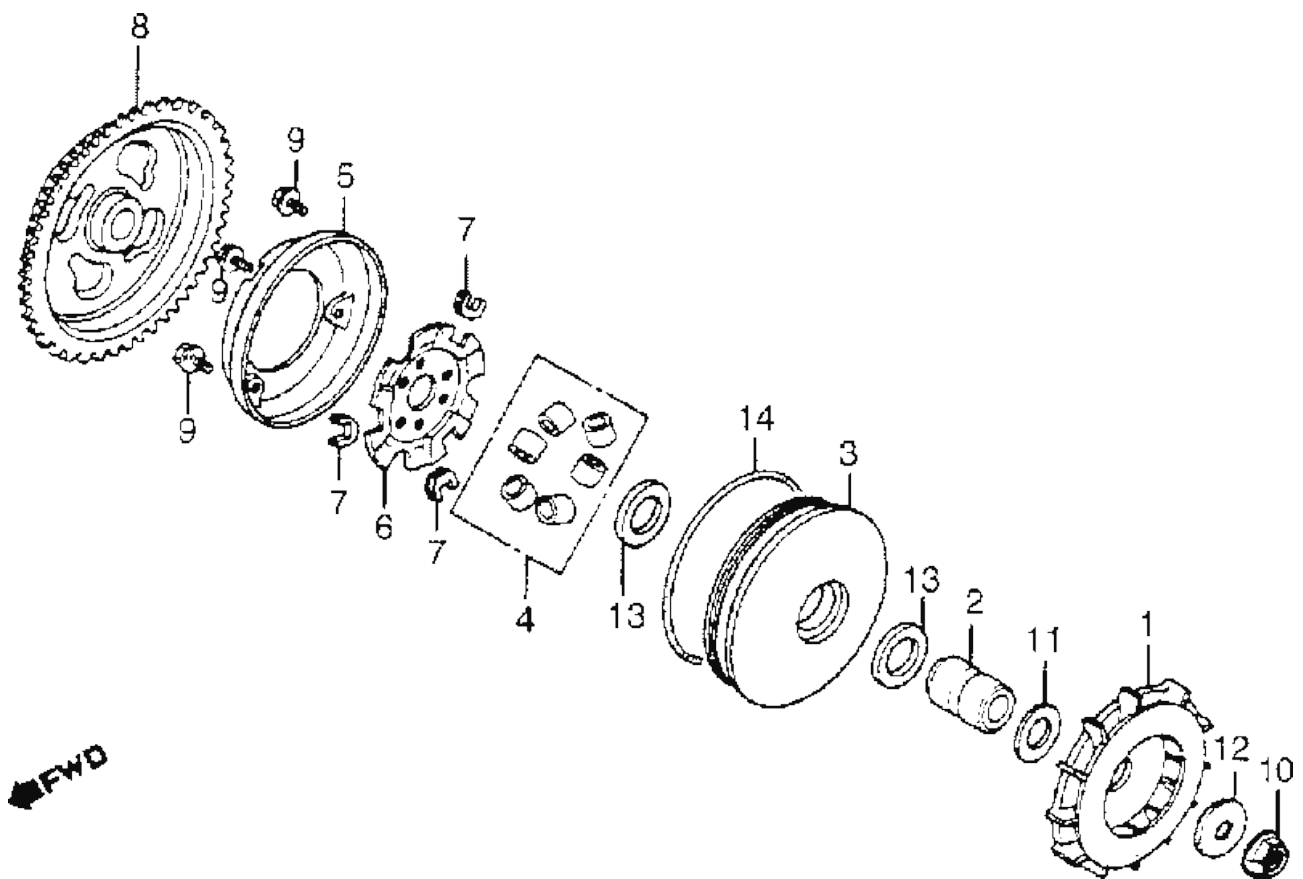
Cylinder Head



#	DESC	GUIDE
1	CYLINDER A COMP.	\$367.31
1	CYLINDER B COMP.	\$342.91
2	GASKET, CYLINDER	\$2.87
3	CYLINDER HEAD	\$82.42
4	GASKET, CYL HD	\$7.22
5	BOLT, FLANGE (8X124)	\$4.02
6	BOLT, STUD (6X18)	\$0.65
7	S/PLG (W14FPR-L)	\$2.24
7	SPARK PLUG (BPR4HS)	\$2.90
7	SPARK PLUG (BPR6HS)	\$2.32
7	SPARK PLUG (BPR7HS)	\$2.32
7	SPARK PLUG (W20FPR)	\$2.24
7	SPARK PLUG (W20FSR)	\$2.24
7	SPARK PLUG (W22FPR)	\$2.24

[BACK TO CONTENTS](#)

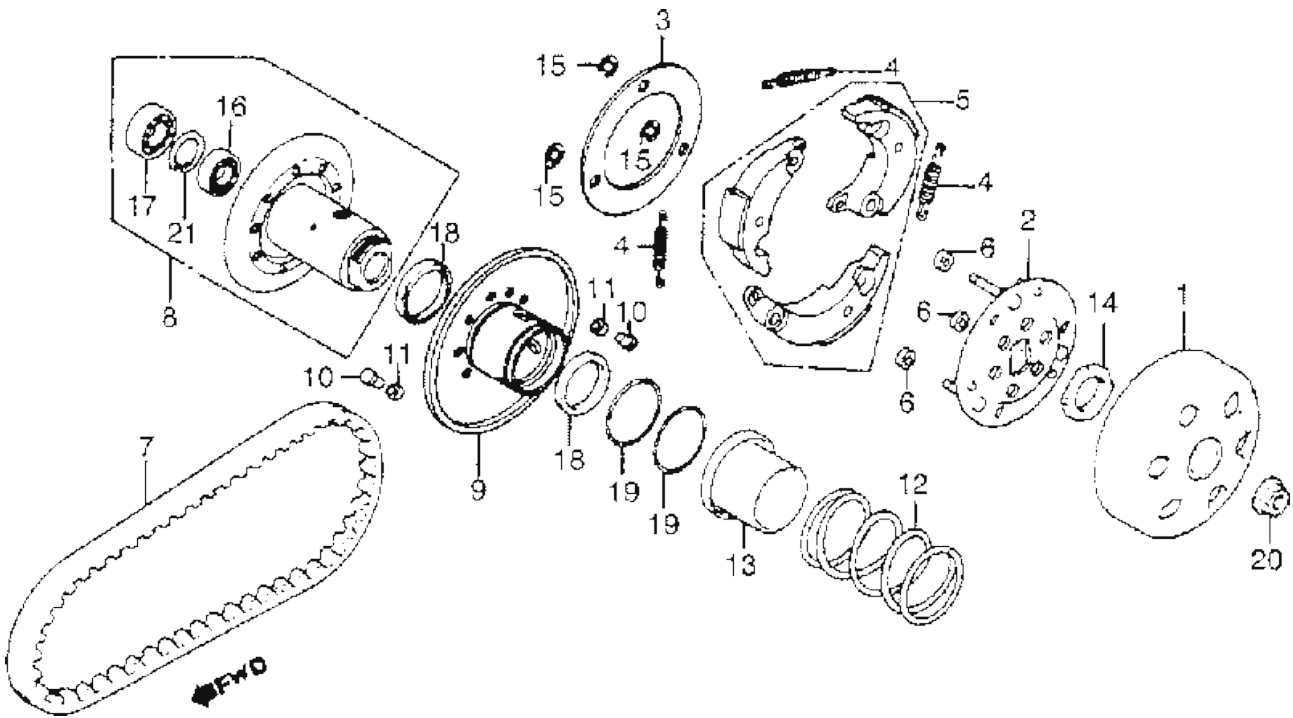
Drive Face



#	DESC	GUIDE
1	FACE, DRIVE	\$25.40
2	BOSS, DRIVE FACE	\$11.71
3	FACE, MOVABLE DRIVE	\$53.96
4	ROLLER SET, WEIGHT	\$18.51
5	SEAL, MOVABLE FACE	\$8.65
6	PLATE, RAMP	\$18.71
7	PIECE, SLIDE	\$3.64
8	GEAR COMP.	\$92.33
9	BOLT, FLANGE (4X10)	\$1.20
10	NUT, FLANGE (12MM)	\$3.23
11	WASHER, PLAIN (17MM)	\$2.33
12	WASHER, PLAIN (12MM)	\$2.33
13	OIL SEAL (24X31X3.5)	\$6.89
14	O-RING (91X2.6)	\$4.36

[BACK TO CONTENTS](#)

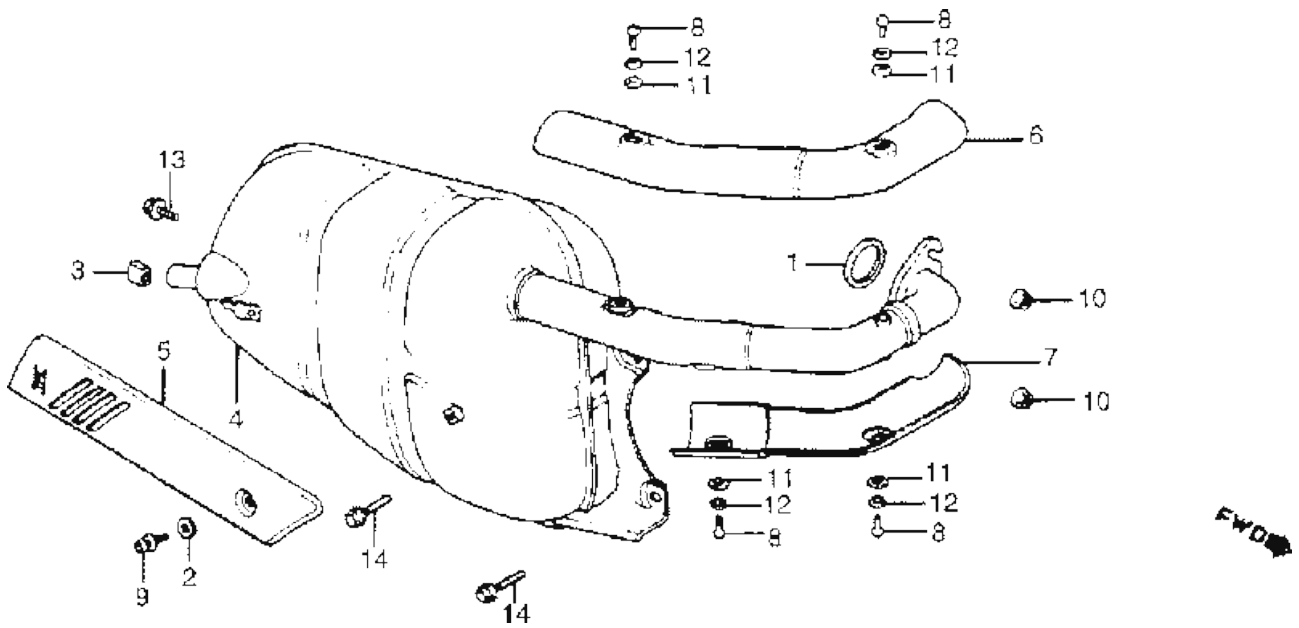
Driven Face



#	DESC	GUIDE
1	CLUTCH OUTER	\$67.67
2	PLATE COMP., DRIVE	\$31.49
3	PLATE, CLUTCH SIDE	\$10.65
4	SPRING, CLUTCH	\$3.09
5	WEIGHT SET, CLUTCH	\$42.75
6	RUBBER	\$1.58
7	BELT, DRIVE	\$76.67
8	FACE ASSY., DRIVEN	\$76.18
9	FACE, MOVABLE DRIVEN	\$46.18
10	PIN, ROLLER GUIDE	\$2.04
11	ROLLER, GUIDE	\$2.62
12	SPRING, DRIVEN FACE	\$17.85
13	COLLAR, SEAL	\$10.67
14	NUT, SPECIAL (28MM)	\$5.02
15	CIRCLIP (7MM)	\$1.05
16	BEARING (6901U)	\$13.73
18	SEAL, DRIVEN FACE	\$4.93
19	O-RING, PINION CAP	\$2.87
20	NUT, FLANGE (10MM)	\$0.83
21	CIRCLIP (24MM)	\$0.60

[BACK TO CONTENTS](#)

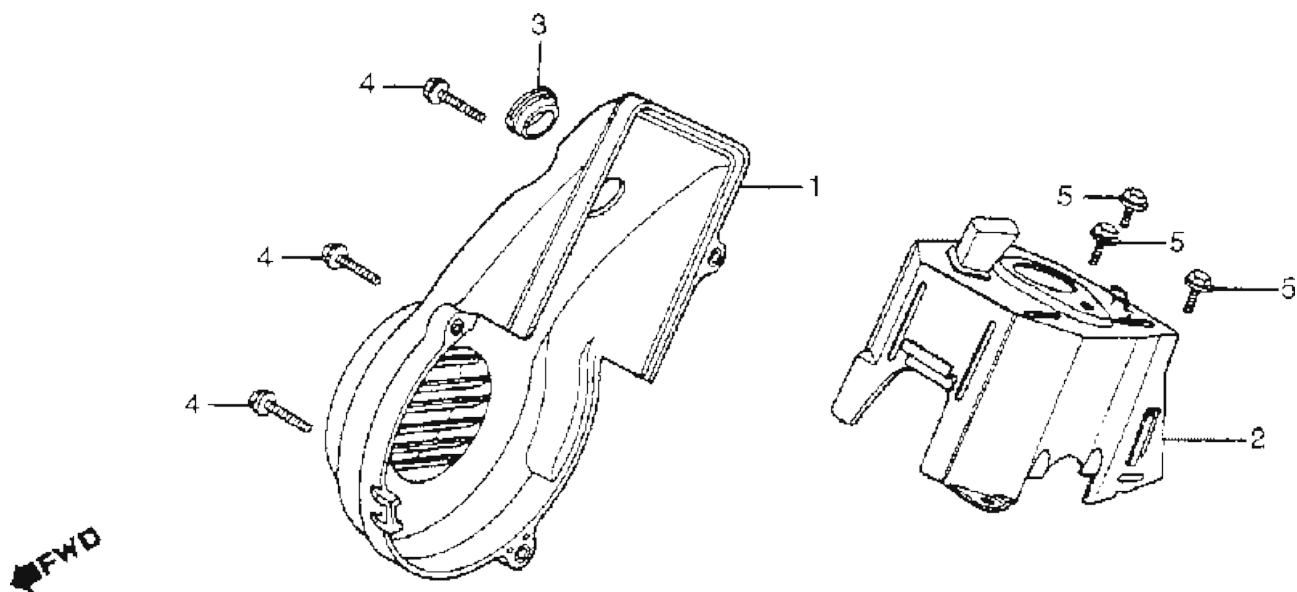
Exhaust Muffler



#	DESC	GUIDE
1	GASKET, EX. PIPE	\$3.82
2	GASKET, PROTECTOR	\$1.33
3	RUBBER	\$2.73
4	MUFFLER COMP., EX.	\$172.49
5	PROTECTOR, MUFFLER	\$22.42
6	PROTECTOR, EX. PIPE	\$25.96
7	PROTECTOR B	\$18.27
8	SCREW, PAN (6X8)	\$0.52
9	SCREW-WASHER (6X8)	\$0.60
10	NUT, FLANGE (6MM)	\$0.62
11	WASHER, PLAIN (6MM)	\$0.38
12	WASHER, SPRING (6MM)	\$0.42
13	BOLT, FLANGE (8X16)	\$0.75
14	BOLT, FLANGE (8X25)	\$0.90

[BACK TO CONTENTS](#)

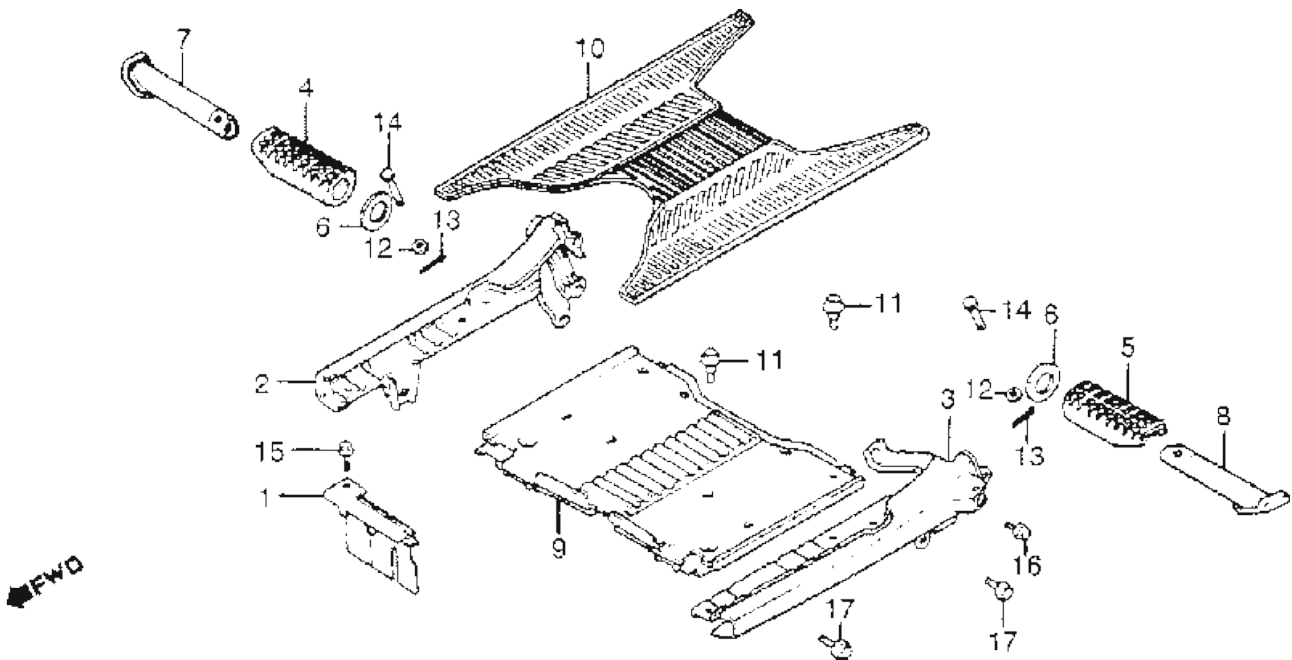
Fan Cover/Shroud/Air Guide Cover



#	DESC	GUIDE
1	COVER COMP., FAN	\$25.28
2	SHROUD, COOLING	\$51.80
3	GROMMET, DRAIN HOLE	\$3.48
4	BOLT, FLANGE (6X20)	\$0.13
5	BOLT, FLANGE (6X12)	\$0.68

[BACK TO CONTENTS](#)

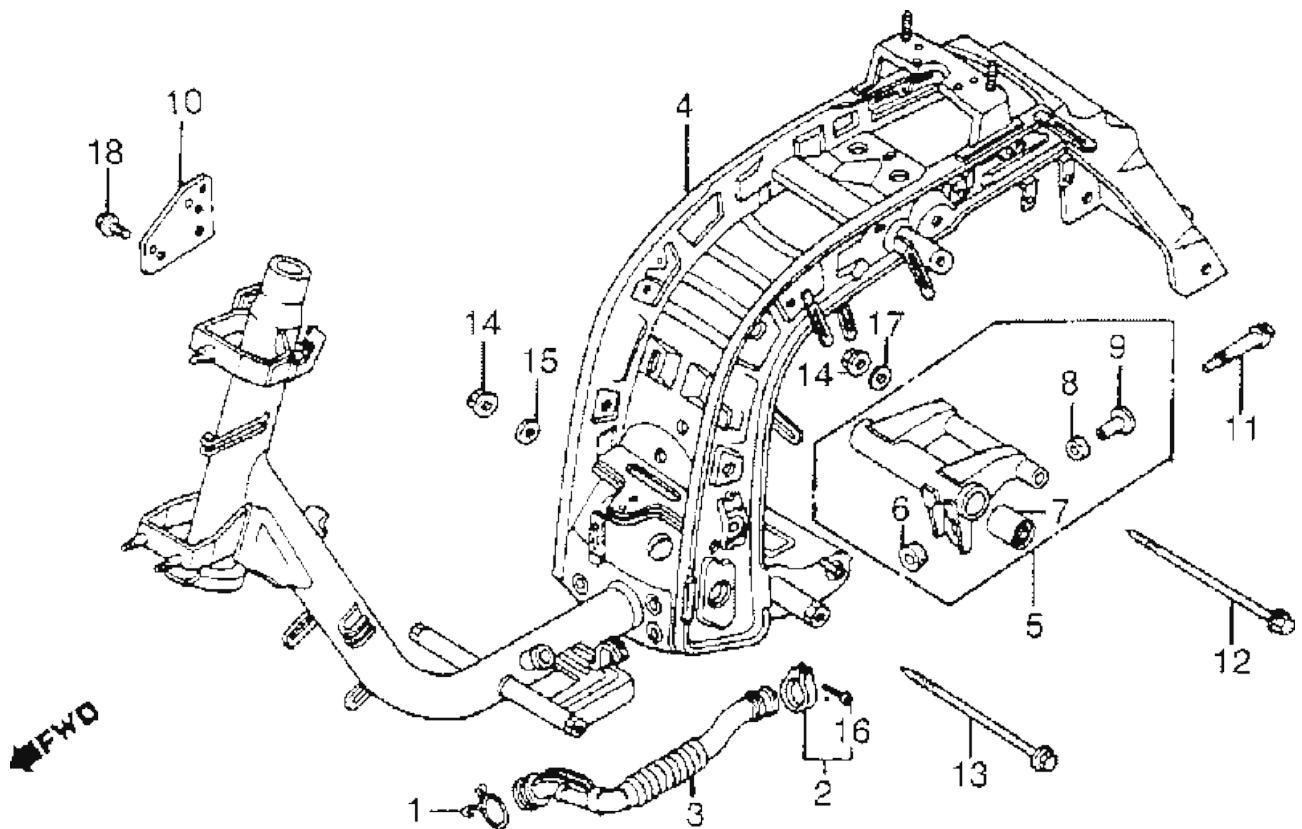
Floor Panel/Floor Board



#	DESC	GUIDE
1	MUDGUARD, PEDAL	\$19.64
2	BOARD, R. *R4C*	\$46.24
2	BOARD, R. *YR118MS*	\$43.16
3	BOARD, L. *R4C*	\$46.18
3	BOARD, L. *YR118MS*	\$46.18
4	RUBBER, R.	\$6.35
5	RUBBER, L.	\$6.35
6	PLATE	\$3.25
7	BAR, R.	\$20.16
8	BAR, L.	\$20.44
9	PANEL, FLOOR *NH122*	\$63.22
10	FLOOR MAT	\$42.29
11	BOLT, FLANGE (6MM)	\$2.09
12	WASHER, PLAIN (6MM)	\$0.22
12	WASHR,PLAIN6MM)06800	\$0.22
13	PIN, COTTER (1.6X25)	\$0.45
13	PIN, SPLIT (1.6X15)	\$0.45
14	PIN A, PILLION STEP	\$1.44
15	BOLT, FLANGE (6X10)	\$0.65
16	BOLT, FLANGE (6X12)	\$0.62
17	BOLT, FLANGE (8X14)	\$0.75

[BACK TO CONTENTS](#)

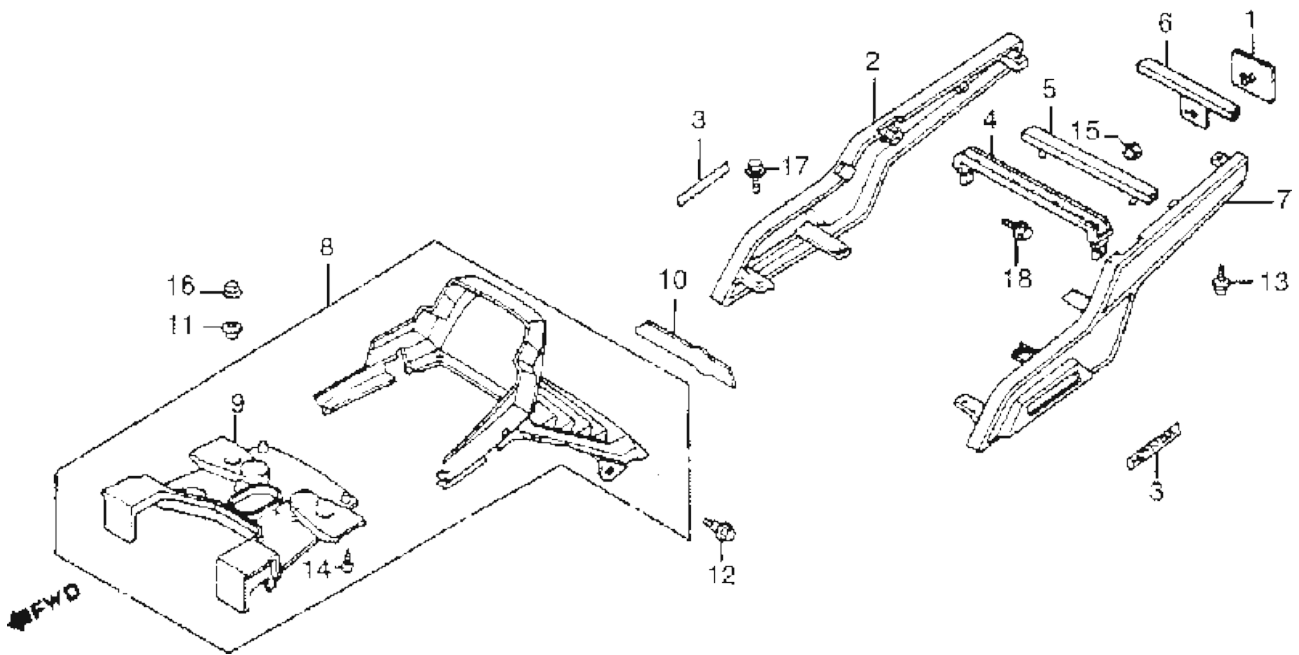
Frame Body



#	DESC	GUIDE
1	CLIP, BREATHER TUBE	\$2.24
2	BAND B, A/CLNR TUBE	\$4.48
3	HOSE, COOLING AIR	\$35.24
4	FRAME COMP. *NH1*	\$375.58
5	BRACKET, ENG HGR	\$98.31
6	RUBBER, ENG HGR STPR	\$5.18
7	BUSH, ENG HGR RUB	\$12.96
8	RUBBER, R.	\$2.49
9	COLLAR, DISTANCE	\$5.69
10	STAY B, HANDLE LOCK	\$12.44
11	BOLT, FLNGE (8X45)	\$4.02
12	BOLT, FLG (10X226)	\$10.38
13	BOLT, FLG (10X173)	\$8.35
14	NUT, AXLE (10MM)	\$2.09
15	WASHER (10X24)	\$1.31
16	SCREW, PAN (5X20)	\$0.40
17	WASHER, PLAIN (10MM)	\$0.48
18	BOLT, FLNGE (6X12)	\$0.62

[BACK TO CONTENTS](#)

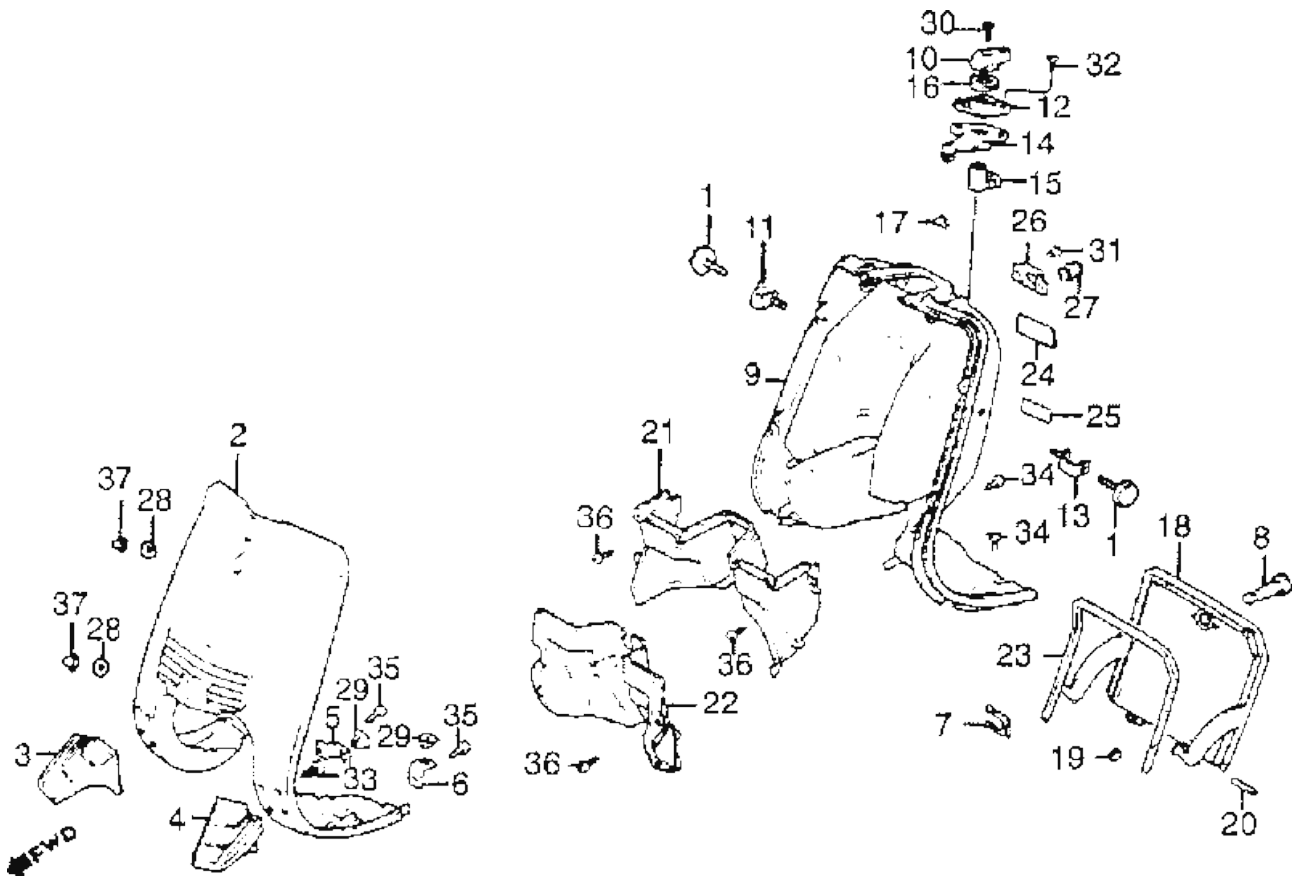
Frame Body, Rear Cover & Grab Rail



#	DESC	GUIDE
1	REFLECTOR, RR.	\$19.71
2	BRKT, R. GRAB RAIL	\$134.65
3	EMBLEM, GRAB RAIL	\$8.13
4	CROSS, FR. GRAB	\$23.31
5	CROSS, CENTER GRAB	\$16.36
6	CROSS, RR. GRAB	\$16.36
7	BRKT, L. GRAB RAIL	\$134.65
8	CVR, RR. FRAME *NH1*	\$64.35
9	TRAY, RR. COVER	\$41.05
10	LABEL, RR. COVER	\$7.16
11	COLLAR (8MM)	\$3.87
12	BOLT, FLANGE (5X9)	\$2.28
13	SCREW-WASHER (5X12)	\$0.52
14	SCREW, TAP (4X10)	\$0.40
15	NUT, CAP (6MM)	\$0.49
16	NUT, FLANGE (8MM)	\$0.62
17	BOLT, FLANGE (6X16)	\$0.63
18	BOLT, FLANGE (6X20)	\$0.52

[BACK TO CONTENTS](#)

Front Cover & Inner Box

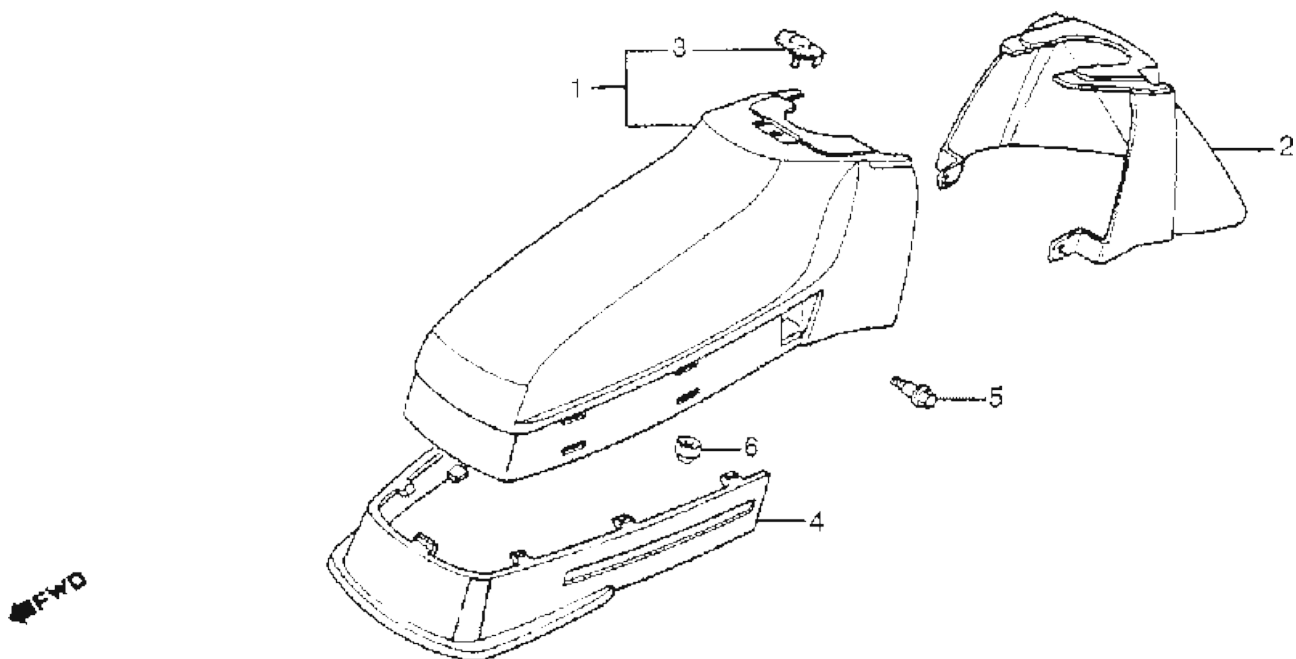


#	DESC	GUIDE
1	REFLECTOR, FR.	\$22.15
2	COVER, FR. *R4C*	\$224.65
2	COVER, FR. *YR118MS*	\$211.76
3	SPOILER *YR118MS*	\$12.31
3	SPOILER, R. *R4C*	\$12.31
4	SPOILER *YR118MS*	\$12.31
4	SPOILER, L. *R4C*	\$12.31
5	BRACKET A, FR. COVER	\$3.18
6	BRACKET B, FR. COVER	\$3.18
7	SPRING	\$2.83
8	LOCK (TYPE1)	\$27.56
9	BOX (INNER) *NH122*	\$131.92
10	LEVER, RR.	\$11.36
11	STAY, R. REFLECTOR	\$8.13
12	HOLDER, RR. (UPPER)	\$17.31
13	STAY, L. REFLECTOR	\$8.13
14	HOLDER, RR. (LOWER)	\$17.31
15	PULLEY, RR.	\$19.87
16	PLATE, RR.	\$5.42
17	LABEL, LOCK LEVER	\$1.96
18	LID, BOX *NH122*	\$31.29
19	RUBBER, LID STOPPER	\$1.84
20	PIN, BOX LID (INNER)	\$4.31

#	DESC	GUIDE
21	TRAY, BOX *NH122*	\$23.41
22	LINING, BOX (INNER)	\$87.51
23	SEAL, BOX (INNER)	\$8.51
24	LABEL, TRUNK CAUTION	\$3.25
25	LABEL	\$3.69
26	STRIKER, BOX LOCK	\$3.64
27	NUT, FLANGE (6MM)	\$0.62
27	NUT, OPEN STAY (6MM)	\$3.23
28	WASHER (6X17)	\$1.07
29	GROMMET, SCREW (4MM)	\$1.22
30	SCREW, OVAL (5X22)	\$0.55
31	SCREW, TAP (4X12)	\$0.40
32	SCREW, TAP (4X16)	\$0.15
35	SCREW, TAP (4X12)	\$0.29
37	NUT, CAP (6MM)	\$0.83

[BACK TO CONTENTS](#)

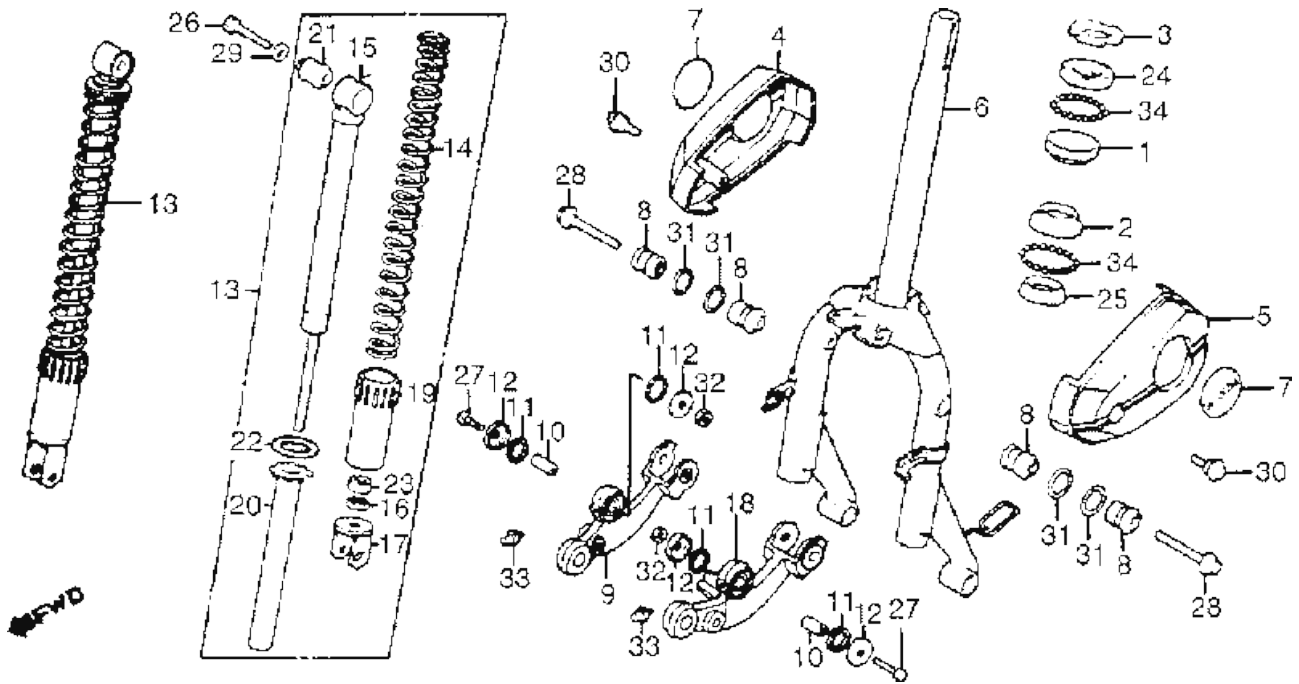
Front Fender



#	DESC	GUIDE
1	FDR, FR. *YR118MS*	\$51.68
1	FENDER, FR. *R4C*	\$53.16
2	FENDER B *YR118MS*	\$13.51
2	FENDER B, FR. *R4C*	\$13.23
3	PLATE, FR. FENDER	\$4.02
4	PROTR, FR. FENDER	\$36.05
5	BOLT, FLANGE (6MM)	\$2.09
6	NUT, CAP (6MM)	\$1.58

[BACK TO CONTENTS](#)

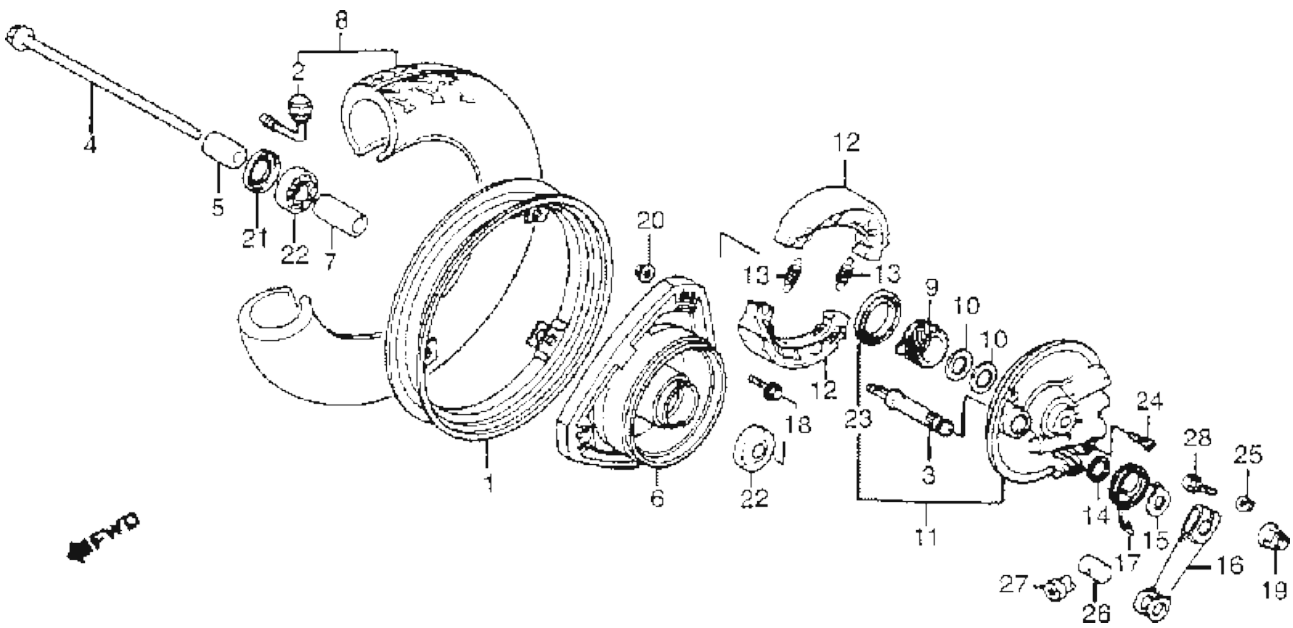
Front Fork



#	DESC	GUIDE	#	DESC	GUIDE
1	RACE, STEERING BALL	\$7.98	21	BUSH, FR. FORK	\$5.42
3	NUT	\$5.56	22	SEAT, SPRING (UPPER)	\$4.51
4	COVER, R. PIVOT ARM	\$16.36	23	RUBBER, STOPPER	\$2.17
5	COVER, L. PIVOT ARM	\$16.36	24	RACE	\$9.62
6	FORK, FR. *NH1*	\$127.76	25	RACE, STEERING CONE	\$5.18
6	SHOCK ABSORBER *NH1*	\$127.76	26	BOLT, HEX. (8X32)	\$2.89
7	LABEL	\$4.51	27	BOLT, FR. FORK	\$1.69
8	BUSH, PIVOT ARM	\$6.84	28	BOLT, FLANGE (8X43)	\$2.75
9	SUB-ARM ASSY., R.	\$51.22	29	WASHER (8MM)	\$1.69
10	COLLAR, FR. (LOWER)	\$3.45	30	BOLT, FLANGE (5X9)	\$2.28
11	DUST SEAL, FR. FORK	\$1.16	31	O-RING (16.8X1.9)	\$1.30
12	CAP, FR. (LOWER)	\$1.24	32	NUT, HEX. (8MM)	\$0.53
13	SHOCK ABSORBER, FR.	\$59.09	33	FITTING (A.45)	\$0.65
14	SPRING, FR. FORK	\$16.22	34	BALL (#5) (5/32)	\$0.55
15	DAMPER COMP., FR.	\$37.91			
16	NUT, LOCK (8MM)	\$2.33			
17	METAL COMP. (LOWER)	\$16.15			
18	SUB-ARM ASSY., L.	\$51.22			
19	CASE, FR. FORK	\$7.42			
20	GUIDE, FR.	\$6.35			

[BACK TO CONTENTS](#)

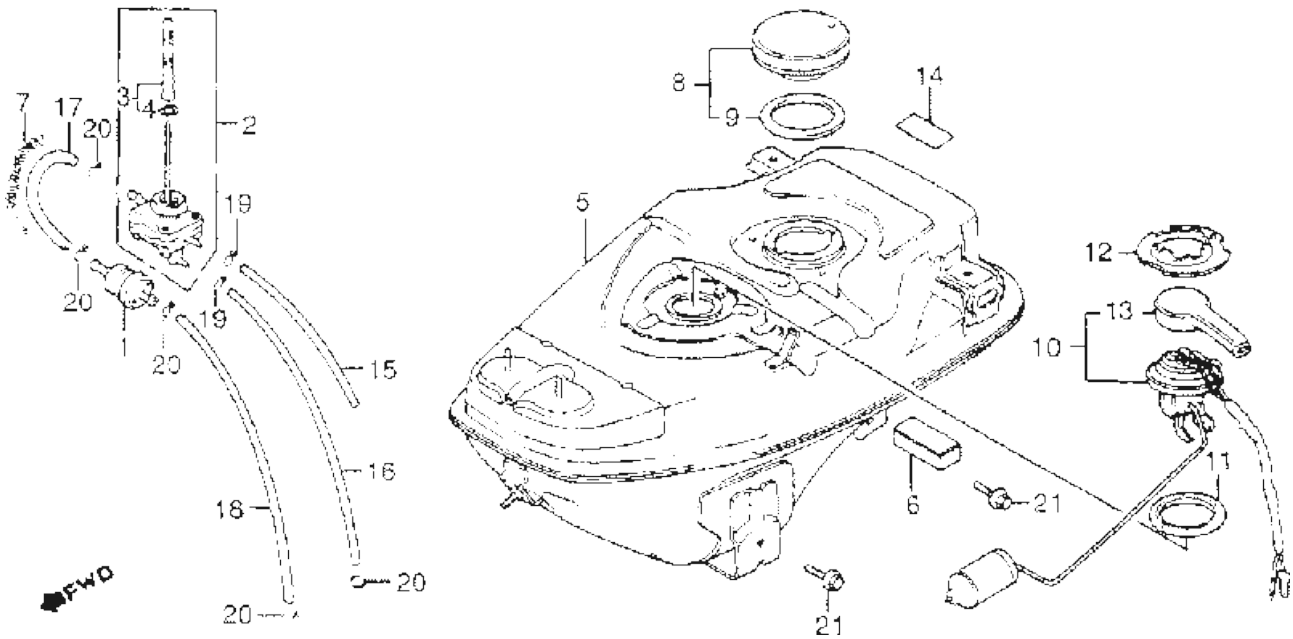
Front Wheel



#	DESC	GUIDE
1	RIM, WHEEL	\$54.53
2	VALVE, RIM	\$10.84
3	CAM, RR. BRAKE	\$16.78
4	AXLE, FR. WHEEL	\$6.95
5	COLR, FR. WHEEL SIDE	\$6.89
6	HUB COMP., FR. WHEEL	\$149.42
7	COLLAR, FR.	\$4.02
8	TIRE (3.50-10) (4PR)	\$48.30
8	TIRE ASSY. (3.50-10)	\$37.10
9	GEAR, SPEEDOMETER	\$13.84
10	WASHER	\$1.49
11	PANEL SUB *NH35M*	\$82.96
12	*06450-178-932	\$17.37
12	*451A2-096-305	\$6.25
12	SHOE COMP., BRAKE	\$17.37
12	SHOE SET, BRAKE	\$17.37
13	SPRING, BRAKE SHOE	\$1.24
14	DUST SEAL, BRAKE CAM	\$1.93
15	INDICATOR, FR. BRAKE	\$3.82
16	ARM, FR. BRAKE	\$7.95
17	SPRING, FR.	\$3.51
18	BOLT, FLANGE (8X32)	\$2.44
19	NUT, FLANGE (12MM)	\$3.15
20	NUT, FLANGE (8MM)	\$3.15
21	DUST SEAL (20X32X5)	\$3.45
22	BEARING (6201Z)	\$15.45
23	OIL SEAL (41X51X5)	\$7.60
24	SCREW, OVAL (5X18)	\$0.20
25	NUT, FLANGE (6MM)	\$0.62
26	JOINT, BRAKE ARM	\$0.49
27	NUT B	\$1.40
28	BOLT, FLANGE (6X28)	\$0.75

[BACK TO CONTENTS](#)

Fuel Tank



#	DESC	GUIDE
1	FILTER COMP., FUEL	\$6.69
2	PETCOCK, AUTOMATIC	\$54.91
3	SCREEN SET	\$25.62
4	O-RING	\$4.35
5	TANK COMP., FUEL	\$140.13
6	CUSHION, FUEL TANK	\$4.51
7	SPRING	\$4.31
8	CAP, FUEL FILLER	\$30.64
9	GASKET	\$1.84
10	FUEL UNIT	\$64.18
11	GASKET, BASE	\$4.22
12	RETAINER, FUEL UNIT	\$4.22
13	COVER, FUEL UNIT	\$4.91
14	LABEL, FUEL	\$2.62
15	BULK HOSE (3.5X3000)	\$8.48
17	BULK HOSE (4.5X8000)	\$38.38
19	CLIP, TUBE (B7)	\$0.63
20	CLIP, TUBE (B8)	\$0.63
21	BOLT, FLANGE (6X14)	\$0.58

[BACK TO CONTENTS](#)

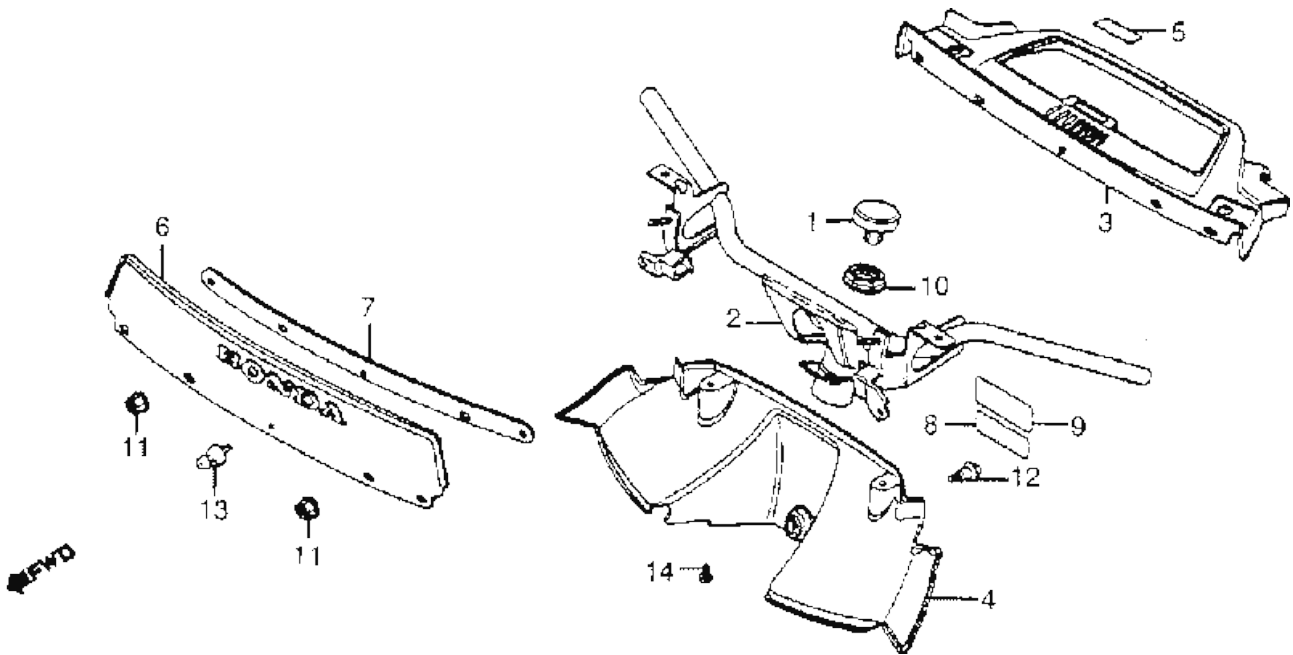
Gasket Kit

NO IMAGE

#	DESC	GUIDE
1	GASKET KIT	\$29.54
1	GASKET, CRANKCASE	\$3.18
2	GASKET, L.	\$11.07
3	GASKET, CYLINDER	\$2.87
4	GASKET, CYL HD	\$7.22
5	GASKET, IN. PIPE	\$2.87
6	GASKET, EX. PIPE	\$3.82
7	GASKET, TRANS CVR	\$4.93
8	O-RING (26.9X2.4)	\$1.65
8	O-RING (27X2.4)	\$1.65
9	O-RING (91X2.6)	\$4.36
10	O-RING, PINION CAP	\$2.87

[BACK TO CONTENTS](#)

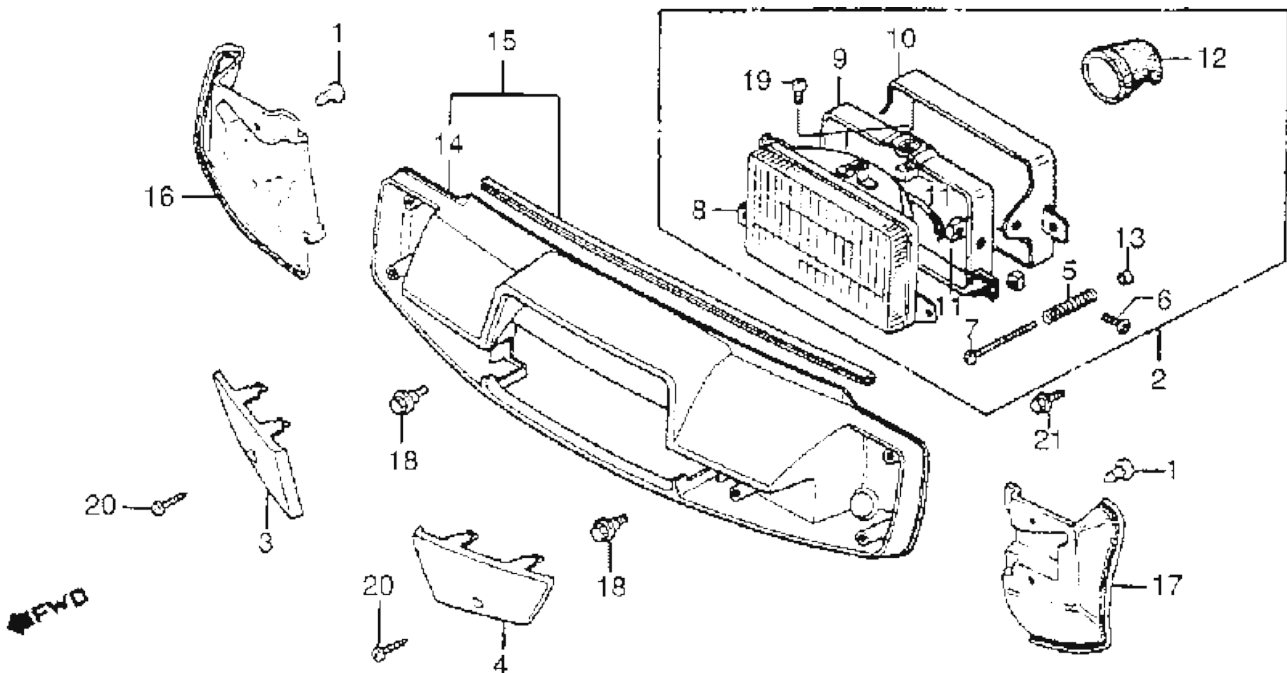
Handlebar, Handlebar Cover, Wind Screen



#	DESC	GUIDE
1	PLUG, STEERING STEM	\$2.07
2	HANDLEBAR	\$121.15
3	COVER *YR118MS*	\$70.82
3	CVR, HANDLEBAR *R4C*	\$64.69
4	COVER *NH122*	\$24.31
5	LABEL (TYPE1)	\$2.38
5	LABEL (TYPE2)	\$2.62
6	WINDSCREEN	\$27.37
7	STAY, WINDSCREEN	\$15.13
8	LABEL *NH0*	\$2.05
10	NUT, STEERING STEM	\$10.53
11	NUT, FLANGE (6MM)	\$1.49
12	SCREW, PAN (5X7)	\$2.49
13	SCREW-WASHER (5X14)	\$0.53
14	SCREW, TAP (4X16)	\$0.29

[BACK TO CONTENTS](#)

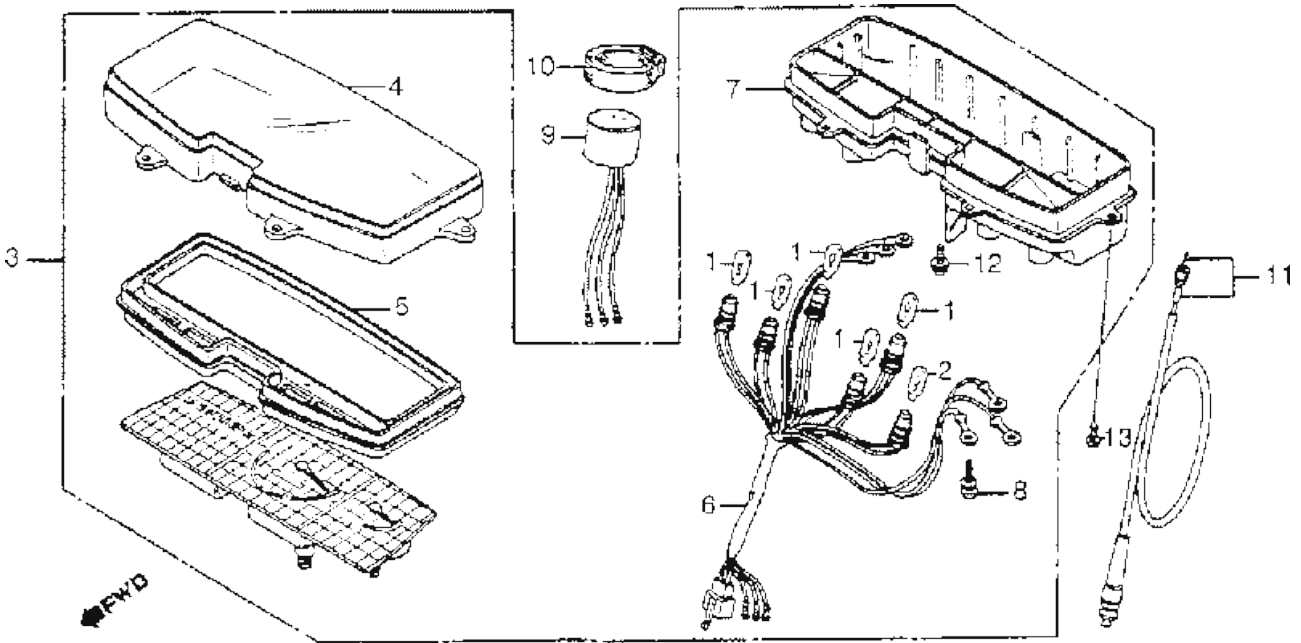
Headlight & Front Handlebar Cover



#	DESC	GUIDE
1	CLIP	\$1.67
2	HEADLIGHT ASSY.	\$113.84
3	COVER, R. *R4C*	\$16.44
3	COVER, R. *YR118MS*	\$15.38
4	COVER, L. *R4C*	\$26.84
4	COVER, L. *YR118MS*	\$26.84
5	SPRING	\$2.62
6	SCREW, SPECIAL	\$1.58
7	SCREW	\$3.51
8	*33100-KG8-671	\$42.23
9	RING A, MOUNTING	\$40.75
10	RING B, MOUNTING	\$34.51
11	NUT, UNIT HOLDER	\$1.20
12	COVER, RUBBER	\$2.87
13	COVER, SCREW	\$1.24
14	COVER, FR. *R4C*	\$106.09
14	COVER, FR. *YR118MS*	\$103.51
15	COVER SET, FR. *R4C*	\$75.40
15	CVR, FR. *YR118MS*	\$75.40
16	LINING, R.	\$19.87
17	LINING, L.	\$19.87
18	BOLT, FLANGE (6MM)	\$2.09
19	SCREW, PAN (5X10)	\$0.40
20	SCREW, TAP (4X20)	\$0.40
21	BOLT, FLANGE (6X10)	\$0.65

[BACK TO CONTENTS](#)

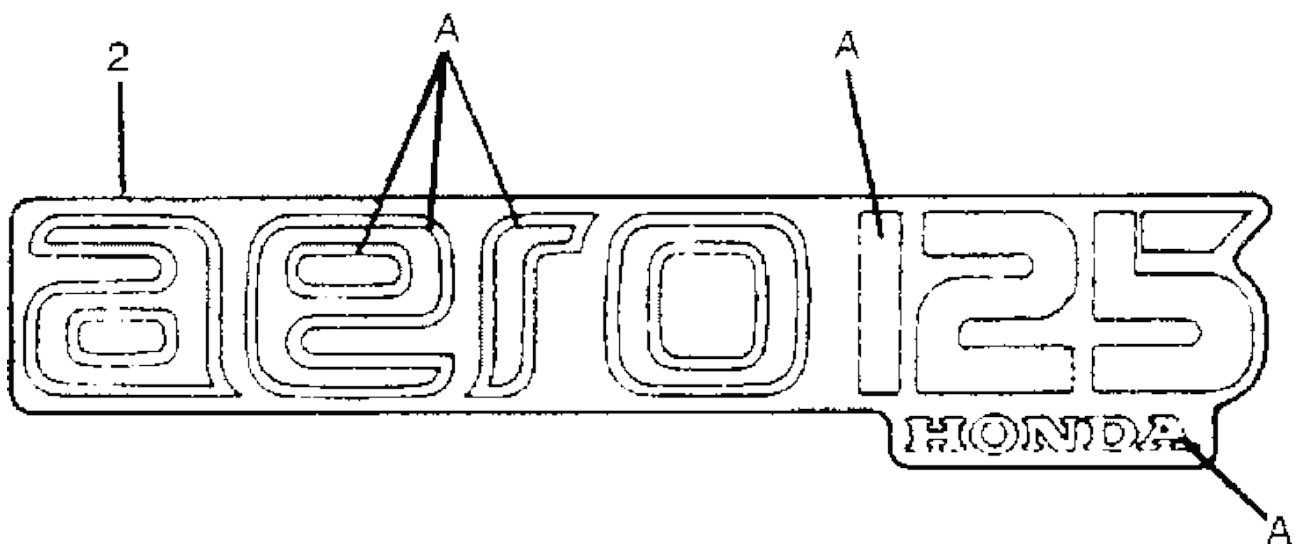
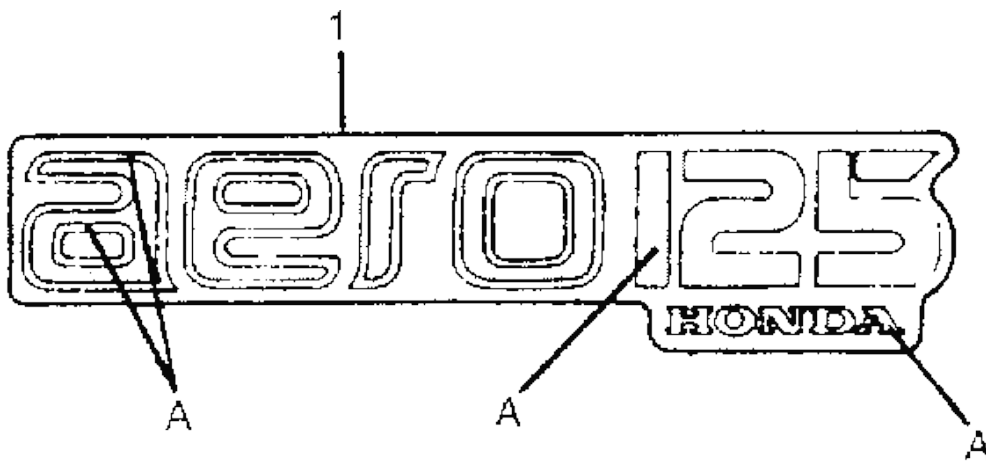
Instruments



#	DESC	GUIDE
1	BULB (12V 3.4W)	\$2.37
1	BULB (12V3.4W) (158)	\$2.37
1	BULB (14V3.4W)	\$2.37
2	BULB (12V 1.7W)	\$1.95
3	METER, COMBINATION	\$225.35
4	LENS, METER	\$34.44
5	PLATE, REFLECTING	\$35.36
6	SOCKET COMP.	\$38.25
7	CASE, METER	\$44.38
8	SCREW-WASHER (3X22)	\$2.09
9	BUZZER, ELECTRON	\$26.56
10	SUSPENSION	\$3.47
11	CABLE, SPEEDOMETER	\$10.52
12	SCREW-WASHER (4X10)	\$0.53
13	SCREW, TAP (5X20)	\$0.40

[BACK TO CONTENTS](#)

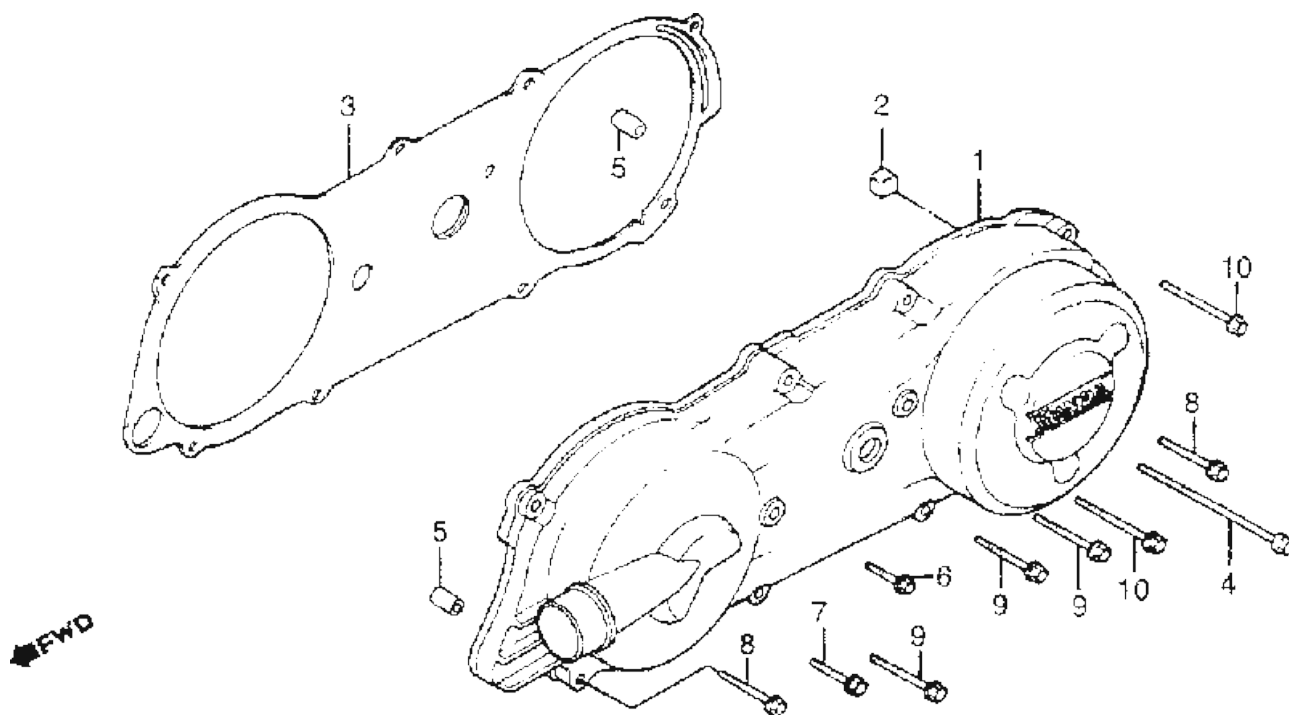
Label



#	DESC	GUIDE
1	LABEL, FR. (TYPE1)	\$7.16
1	LABEL, FR. (TYPE2)	\$7.16
2	LABEL (TYPE1)	\$9.11
2	LABEL (TYPE2)	\$8.02

[BACK TO CONTENTS](#)

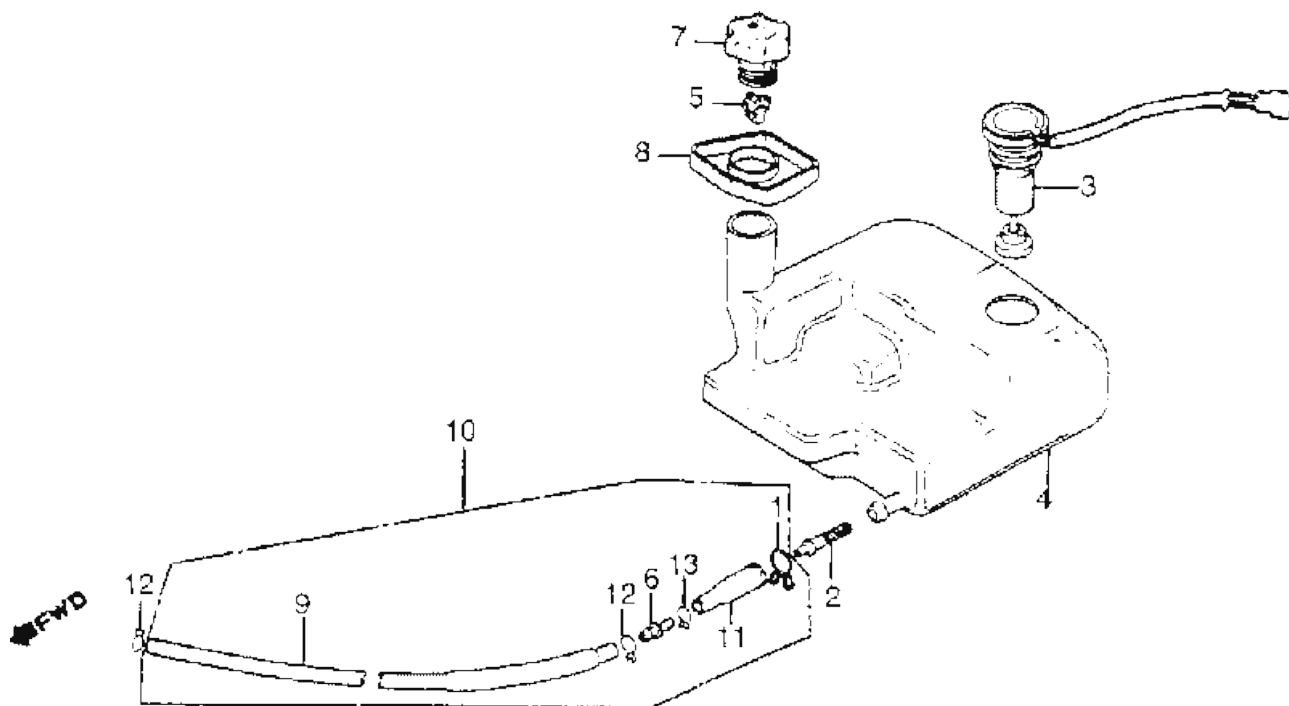
Left Side Cover



#	DESC	GUIDE
1	COVER, L. SIDE	\$180.98
2	RUBBER, L.	\$2.49
3	GASKET, L.	\$11.07
4	BOLT, FLANGE (6X105)	\$3.84
5	PIN A, DOWEL (10X14)	\$1.00
6	BOLT, FLANGE (6X16)	\$0.62
7	BOLT, FLANGE (6X25)	\$0.88
8	BOLT, FLANGE (6X35)	\$0.91
9	BOLT, FLANGE (6X40)	\$0.95
10	BOLT, FLANGE (6X50)	\$1.05

[BACK TO CONTENTS](#)

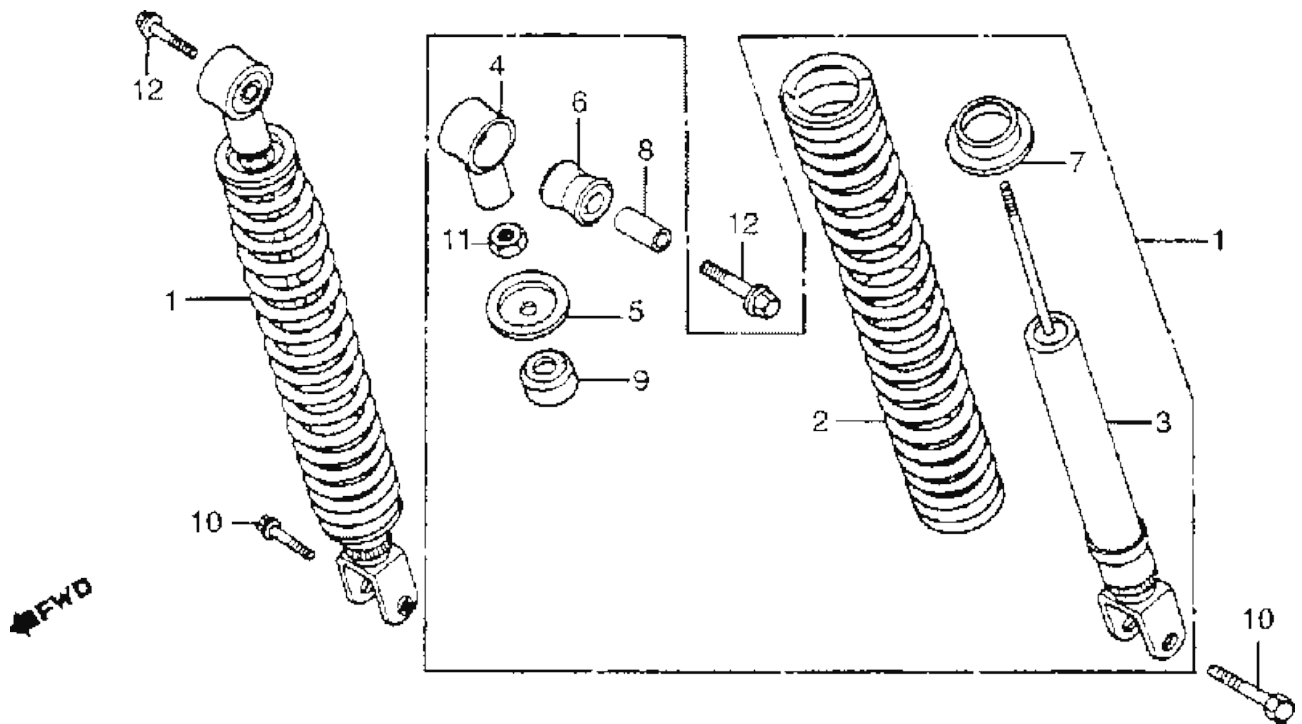
Oil Tank



#	DESC	GUIDE
1	CLIP, BREATHER TUBE	\$3.94
2	STRAINER, OIL	\$3.64
3	SWITCH, OIL LEVEL	\$39.24
4	TANK, OIL	\$49.18
5	PLATE, LEVEL (UPPER)	\$1.93
6	JOINT, OIL TUBE	\$3.33
7	CAP COMP., OIL	\$16.44
8	TRAY, OIL TANK	\$6.35
9	TUBE, OIL (5.3X550)	\$12.07
10	TUBE ASSY., OIL	\$24.88
11	JOINT, OIL STRAINER	\$3.71
12	CLIP, TUBE (B10)	\$0.71
13	CLIP, TUBE (C9)	\$0.44

[BACK TO CONTENTS](#)

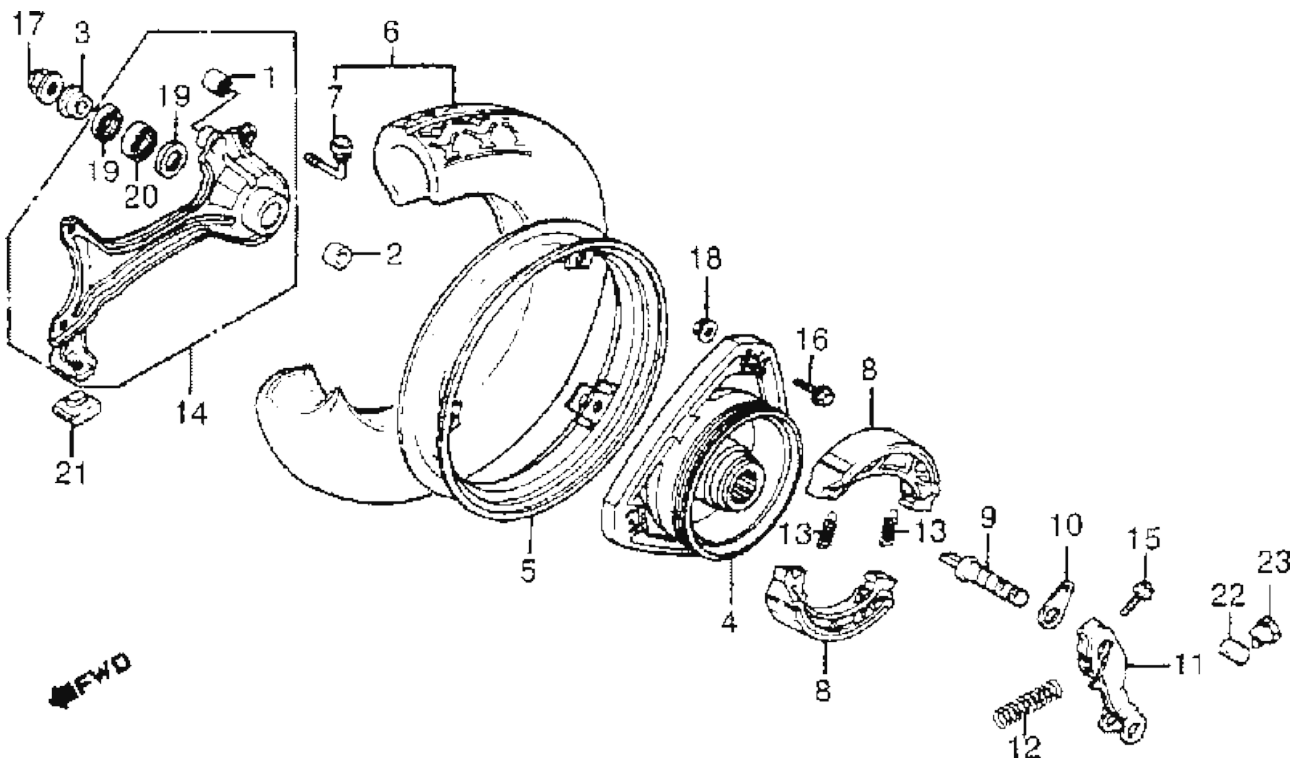
Rear Shock Absorber



#	DESC	GUIDE
1	SHOCK ABSORBER, RR.	\$86.24
2	SPRING, RR. SHOCK	\$22.40
3	DAMPER COMP., RR.	\$66.76
4	METAL, RR. SHOCK	\$16.15
5	SEAT, RR. (LOWER)	\$4.91
6	BUSH, RR.	\$3.25
6	BUSH, RR. SHOCK	\$3.25
7	SEAT, RR.	\$5.78
8	COLLAR, RUBBER BUSH	\$2.49
9	RUBBER, STOPPER	\$2.87
10	BOLT, HEX. (8X32)	\$0.83
11	NUT, HEX. (8MM)	\$0.47
12	BOLT, FLANGE (10X40)	\$0.97

[BACK TO CONTENTS](#)

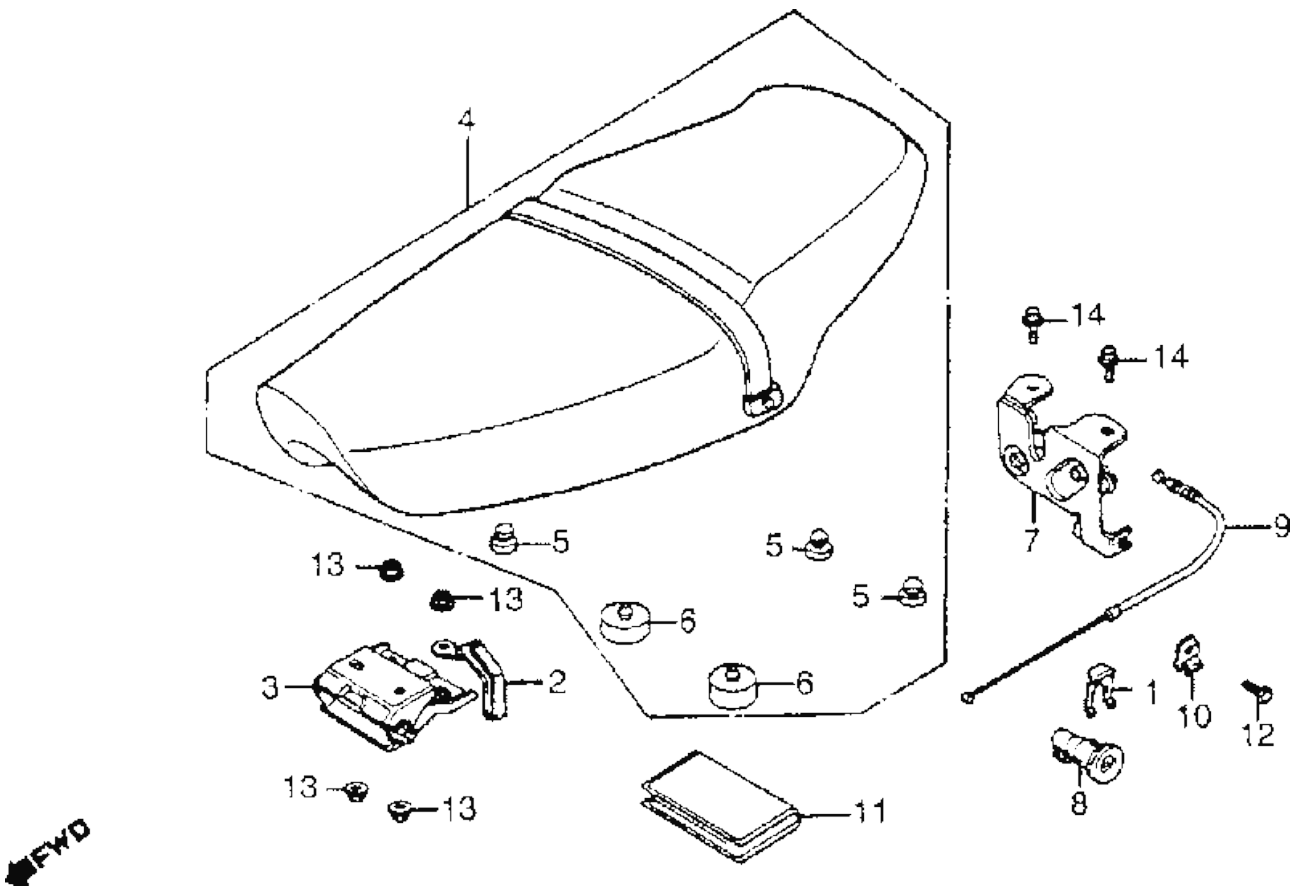
Rear Wheel



#	DESC	GUIDE
1	BUSH, RR. (LOWER)	\$7.02
2	COLLAR, RR. AXLE	\$9.33
3	COLR, RR. AXLE SIDE	\$9.11
4	HUB COMP., RR. WHEEL	\$178.80
5	RIM, WHEEL	\$54.53
6	TIRE (3.50-10) (4PR)	\$64.20
6	TIRE ASSY. (3.50-10)	\$41.67
6	TIRE, RR. (3.50-10)	\$64.20
7	VALVE, RIM	\$10.84
8	SHOE COMP., BRAKE	\$7.11
9	CAM, RR. BRAKE	\$16.78
10	INDICATOR, RR. BRAKE	\$4.18
11	ARM, RR. BRAKE	\$15.47
12	SPRING, RR.	\$2.49
13	SPRING, BRAKE SHOE	\$1.24
14	SWINGARM ASSY., RR.	\$85.38
15	BOLT, FLANGE (6X30)	\$0.88
16	BOLT, FLANGE (8X32)	\$2.44
17	NUT, U (14MM)	\$4.02
18	NUT, FLANGE (8MM)	\$3.15
19	DUST SEAL (22X32X3)	\$3.45
20	BEARING (6002UU)	\$22.95
20	BEARING (6202U)	\$22.95
21	RUBBER A	\$0.78
22	JOINT, BRAKE ARM	\$0.49
23	NUT B	\$1.40

[BACK TO CONTENTS](#)

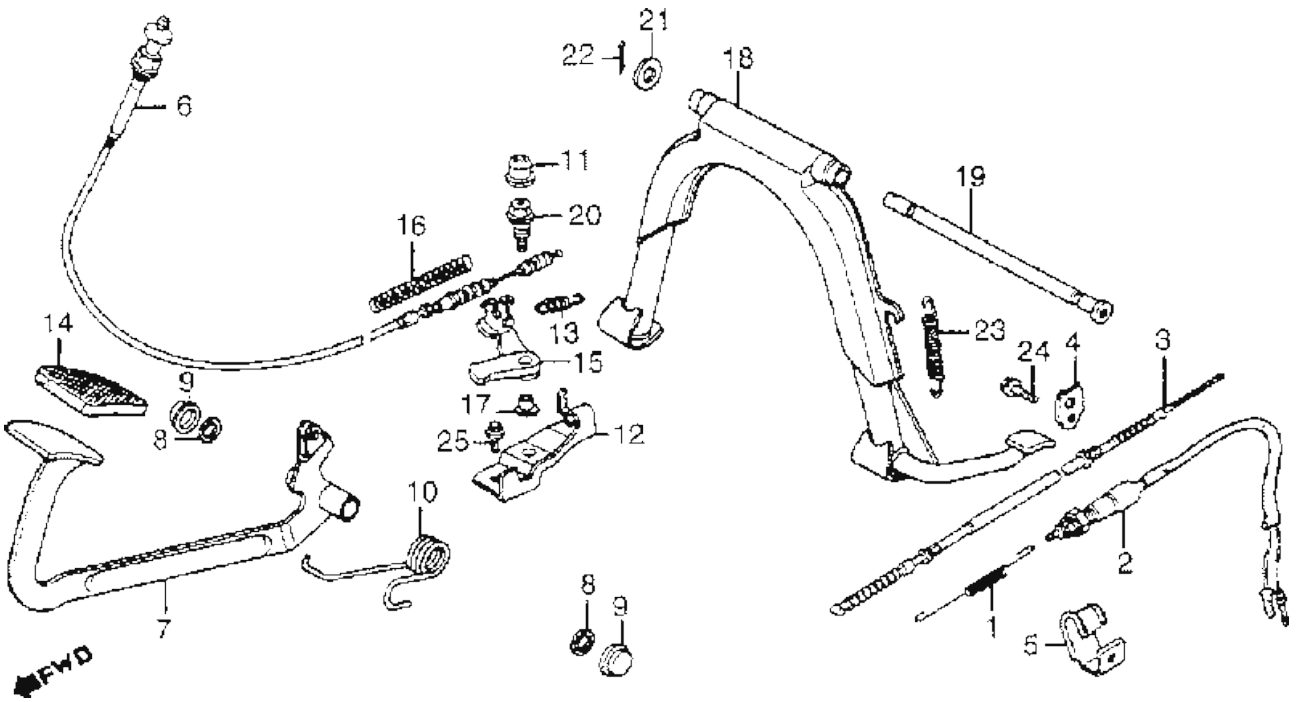
Seat



#	DESC	GUIDE
1	SPRING	\$2.83
2	HOOK, HELMET	\$6.35
3	HINGE COMP., SEAT	\$20.22
4	SEAT COMP., DOUBLE	\$173.87
5	RUBBER, SEAT SETTING	\$4.31
7	LOCK COMP., SEAT	\$63.75
8	KEY, SEAT LOCK	\$24.51
9	CABLE, SEAT LOCK	\$5.78
10	PLATE A, STAY	\$3.18
11	BAG, SERVICE BOOK	\$3.62
12	BOLT, HEX. (4X8)	\$0.38
13	NUT, FLANGE (6MM)	\$0.62
14	BOLT, FLANGE (6X10)	\$0.65

[BACK TO CONTENTS](#)

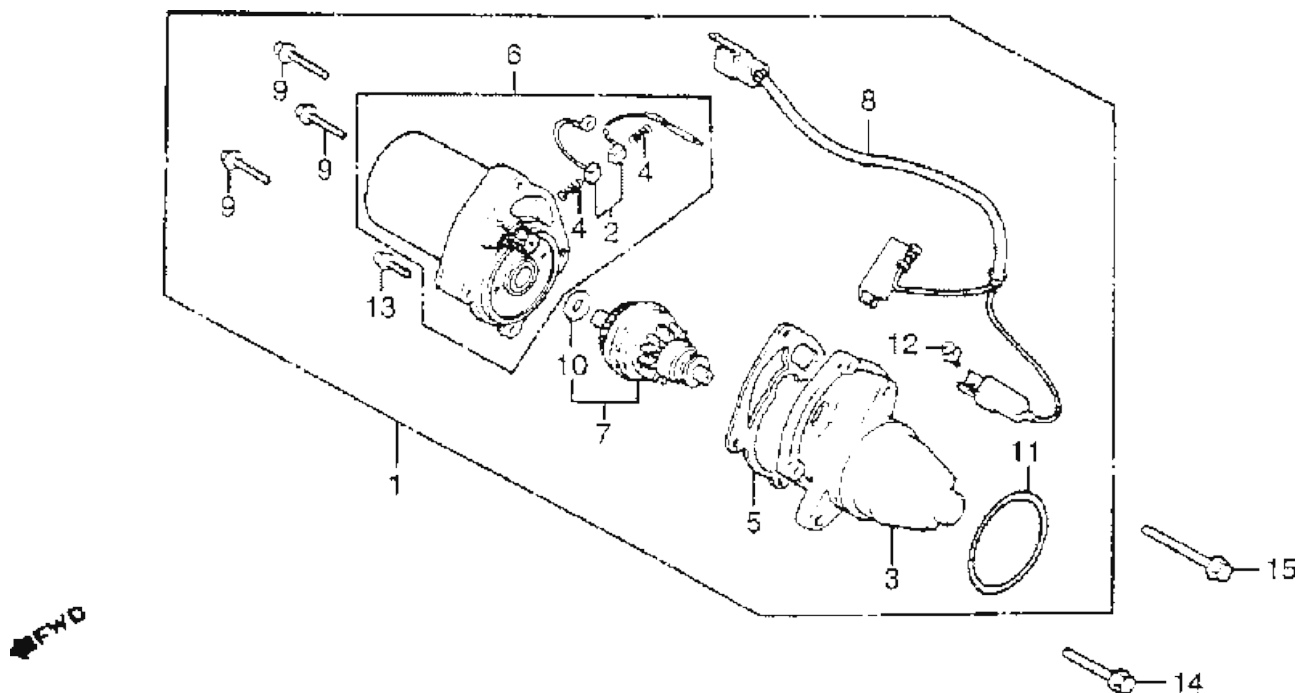
Stand & Rear Brake Pedal



#	DESC	GUIDE	#	DESC	GUIDE
1	SPRING, STOP SWITCH	\$4.31	21	WASHER, PLAIN (12MM)	\$0.55
2	SWITCH, RR. STOP	\$14.22	22	PIN, COTTER (2.0X22)	\$0.60
3	CABLE, RR. BRAKE	\$10.14	22	PIN, COTTER (2.0X32)	\$0.60
4	STOPPER, RR.	\$2.27	22	PIN, COTTER (2.0X35)	\$0.60
5	CLAMP, RR.	\$3.84	22	PIN, SPLIT (2.0X18)	\$0.60
6	CABLE, BRAKE LOCK	\$20.63	22	PIN, SPLIT (2.0X20)	\$0.60
7	PEDAL, RR. BRAKE	\$29.91	22	PIN, SPLIT (2.0X22)	\$0.60
8	SEAL, RR.	\$2.49	22	PIN, SPLIT (2.0X25)	\$0.60
9	CAP, RR.	\$3.45	22	PIN, SPLIT (2.0X28)	\$0.60
10	SPRING	\$6.44	23	SPRING D, MAIN STAND	\$1.62
11	COVER, DUST	\$4.02	24	BOLT, FLANGE (6X16)	\$0.63
12	PLATE, BRAKE LOCK	\$13.80	25	BOLT, FLANGE (6X12)	\$0.68
13	SPRING	\$2.62			
14	COVER, PEDAL	\$3.27			
15	PLATE, PEDAL STOPPER	\$13.80			
16	SPRING	\$4.51			
17	BUSH, STOPPER PLATE	\$4.31			
18	STAND COMP., MAIN	\$45.56			
19	SHAFT, MAIN STAND	\$8.13			
20	BOLT, FLANGE (6X9)	\$6.49			

[BACK TO CONTENTS](#)

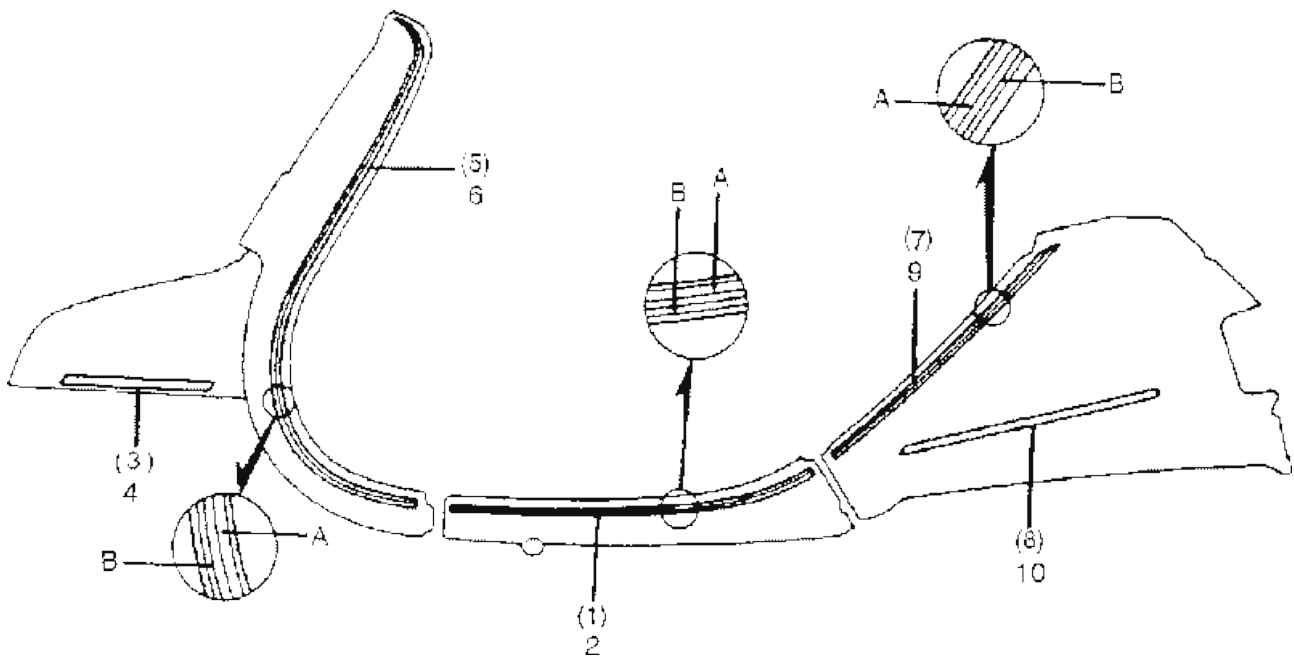
Starter Motor



#	DESC	GUIDE
1	MOTOR ASSY., STARTER	\$230.65
2	BRUSH SET	\$19.22
3	COVER COMP., GEAR	\$42.04
4	SPRING, BRUSH	\$3.32
5	GASKET A	\$4.35
6	MOTOR COMP.	\$147.65
7	PINION ASSY.	\$87.78
8	SUB-WIRE HARNESS A	\$18.36
9	SCREW-WASHER (5X30)	\$1.53
10	WASHER, PINION	\$1.82
11	O-RING	\$3.07
12	SCREW-WASHER (4X6)	\$0.52
13	SCREW-WASHER (5X16)	\$0.50
14	BOLT, FLANGE (6X40)	\$0.95
15	BOLT, FLANGE (6X55)	\$1.05

[BACK TO CONTENTS](#)

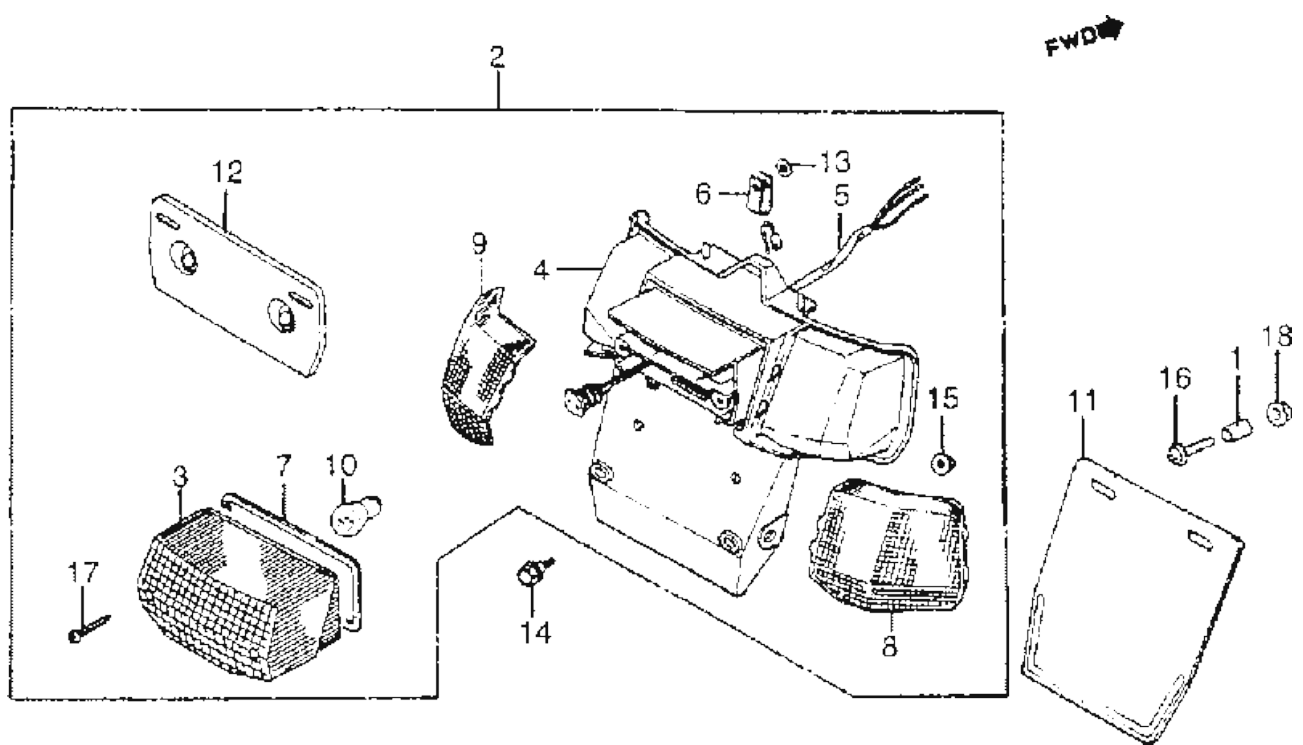
Stripe



#	DESC	GUIDE
1	STRIPE, R. (TYPE1)	\$7.14
1	STRIPE, R. (TYPE2)	\$9.20
2	STRIPE, L. (TYPE1)	\$6.93
2	STRIPE, L. (TYPE2)	\$9.20
3	STRIPE, R. FR.	\$5.78
4	STRIPE, L. FR.	\$5.78
5	STRIPE, R. (TYPE1)	\$16.58
5	STRIPE, R. (TYPE2)	\$16.58
6	STRIPE, L. (TYPE1)	\$16.58
6	STRIPE, L. (TYPE2)	\$16.58
7	STRIPE, R. (TYPE1)	\$7.03
7	STRIPE, R. (TYPE2)	\$9.20
8	STRIPE, R. MOLDING A	\$7.29
9	STRIPE, L. (TYPE1)	\$9.20
9	STRIPE, L. (TYPE2)	\$8.98
10	STRIPE, L. MOLDING A	\$7.29

[BACK TO CONTENTS](#)

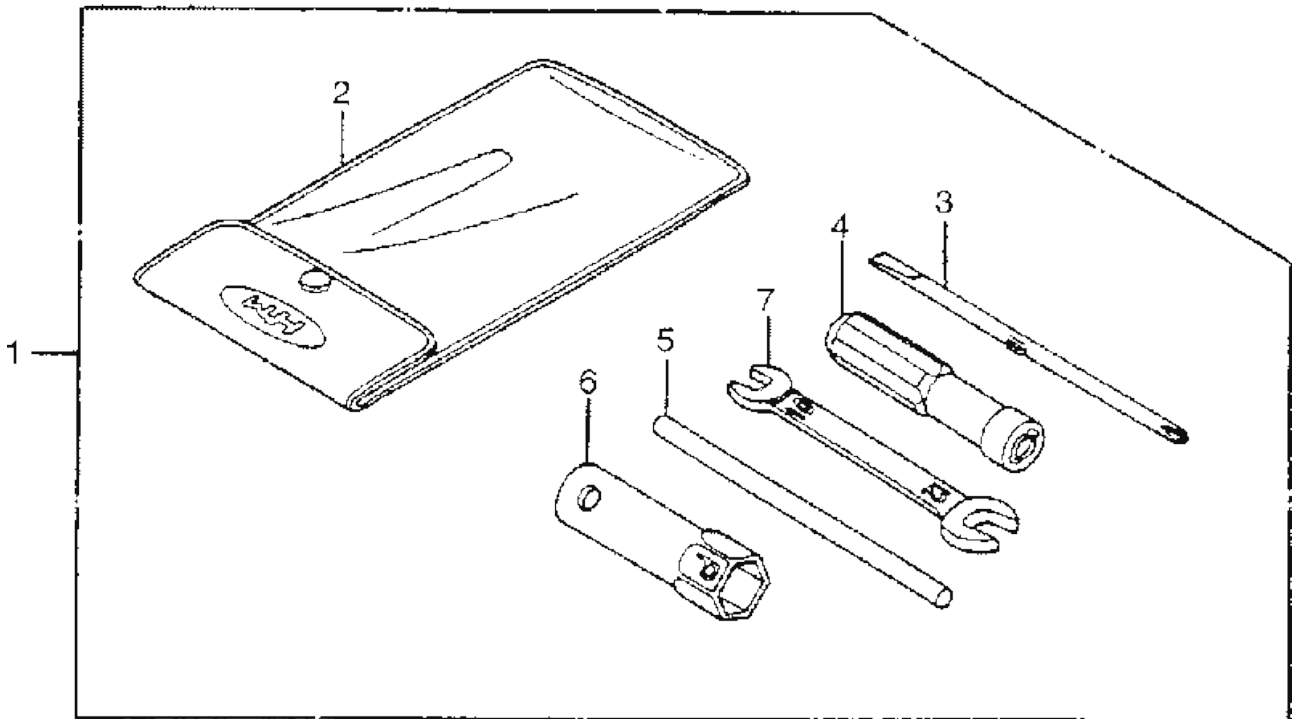
Tail Light



#	DESC	GUIDE
1	COLLAR	\$1.75
2	TAILLIGHT ASSY.	\$105.98
3	LENS, TAILLIGHT	\$14.17
4	BASE, TAILLIGHT	\$66.39
5	WIRE, TAILLIGHT	\$13.75
6	CLAMP, RR.	\$3.07
7	GASKET	\$5.07
8	LENS, R. DUMMY	\$16.15
9	LENS, L. DUMMY	\$30.73
10	BULB (12V 27/8W)	\$2.25
10	BULB, TAILLIGHT	\$2.25
11	MUDGUARD, RR.	\$9.69
12	BRKT, NUMBER PLATE	\$16.16
13	NUT, PUSH	\$1.69
14	BOLT, FLANGE (6MM)	\$2.09
15	NUT, FLANGE (6MM)	\$1.49
16	SCREW-WASHER (6X20)	\$0.55
17	SCREW, TAP (4X30)	\$0.15
18	NUT, FLANGE (6MM)	\$0.62

[BACK TO CONTENTS](#)

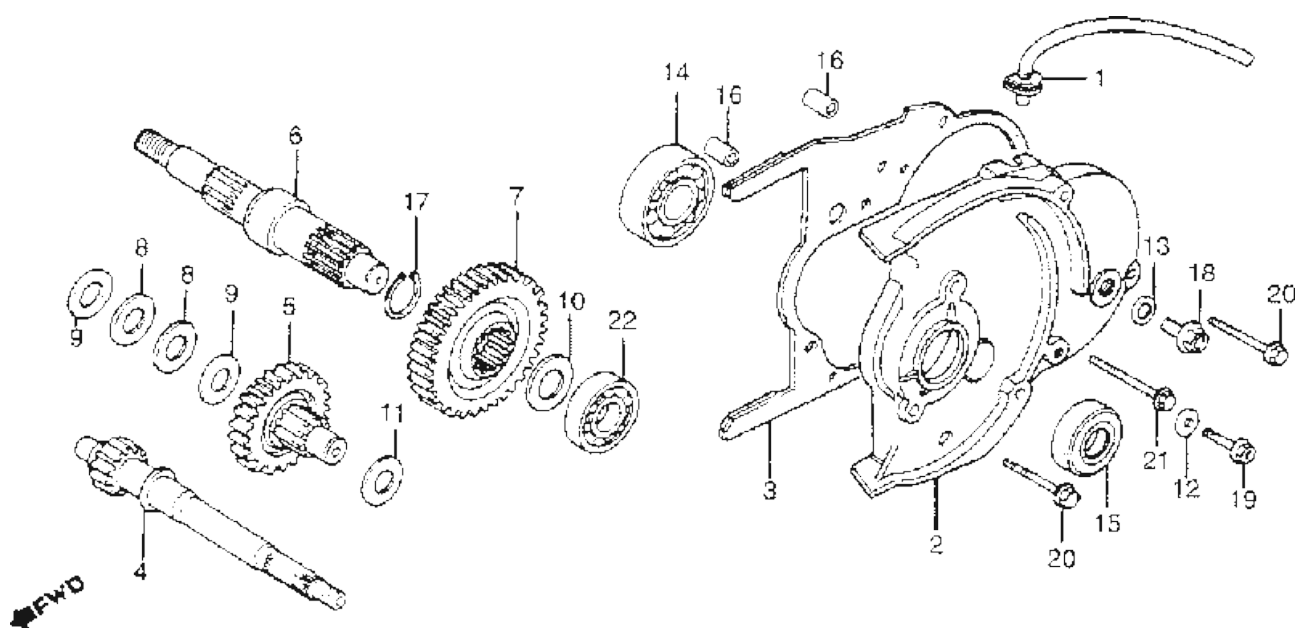
Tools



#	DESC	GUIDE
1	TOOL SET	\$11.75
2	BAG, TOOL	\$2.56
3	SHAFT	\$2.53
4	GRIP	\$1.83
5	BAR, PLUG WRENCH	\$6.55
6	WRENCH, BOX (P21)	\$6.22
7	SPANNER (10X12)	\$1.53

[BACK TO CONTENTS](#)

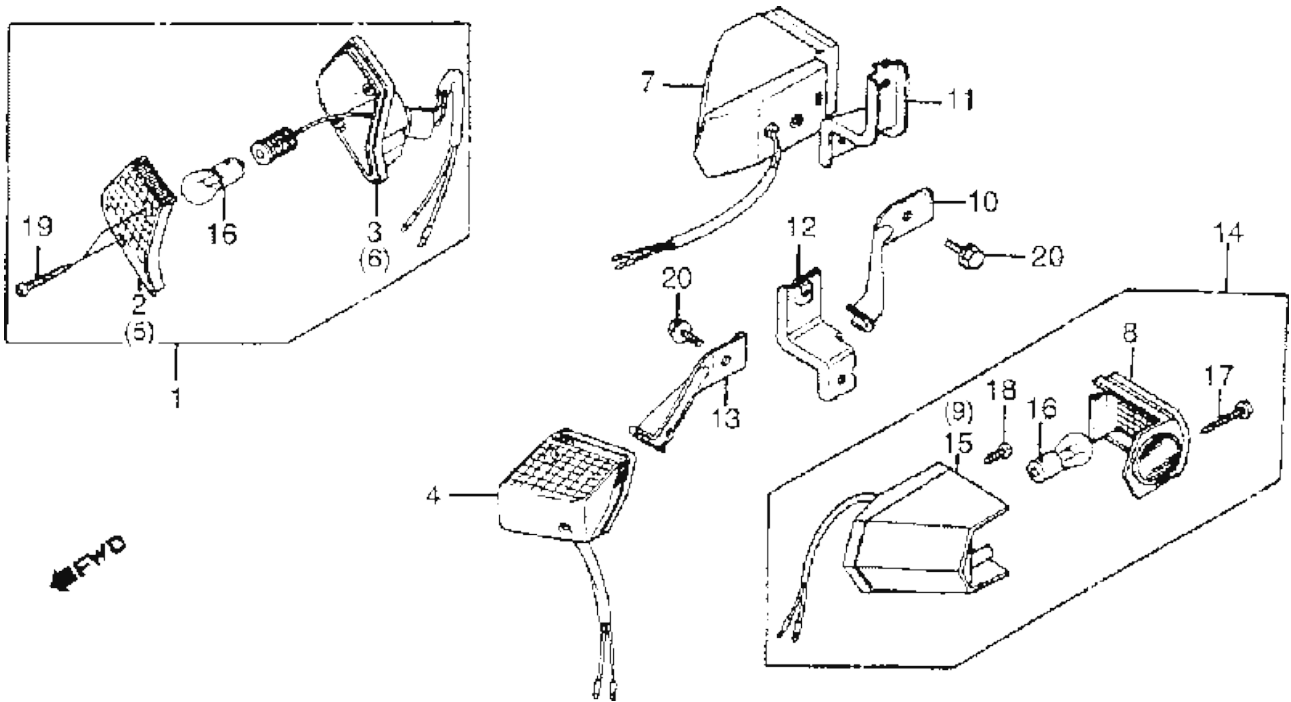
Transmission



#	DESC	GUIDE
1	TUBE, BREATHER	\$7.22
2	COVER, TRANSMISSION	\$84.18
3	GASKET, TRANS CVR	\$4.93
4	DRIVESHAFT	\$43.29
5	COUNTERSHAFT COMP.	\$81.07
6	SHAFT, FINAL	\$57.07
7	GEAR, FINAL	\$61.20
8	WASHER, SIDE (14MM)	\$2.04
9	WASHER (14MM)	\$1.13
10	WASHER (17MM)	\$1.82
11	WASHER (14MM)	\$2.56
11	WASHER (14X22.5)	\$2.56
12	WASHER (6.5X12)	\$3.68
13	WASHER (10.2MM)	\$1.35
14	BEARING (6204)	\$14.27
15	OIL SEAL (20X32X6)	\$3.85
16	PIN A, DOWEL (10X14)	\$1.00
17	CIRCLIP (20MM)	\$0.60
18	BOLT, FLANGE (10X12)	\$0.96
19	BOLT, FLANGE (6X12)	\$0.68
20	BOLT, FLANGE (6X32)	\$0.95
21	BOLT, FLANGE (6X40)	\$0.95
22	BEARING (6203)	\$6.85

[BACK TO CONTENTS](#)

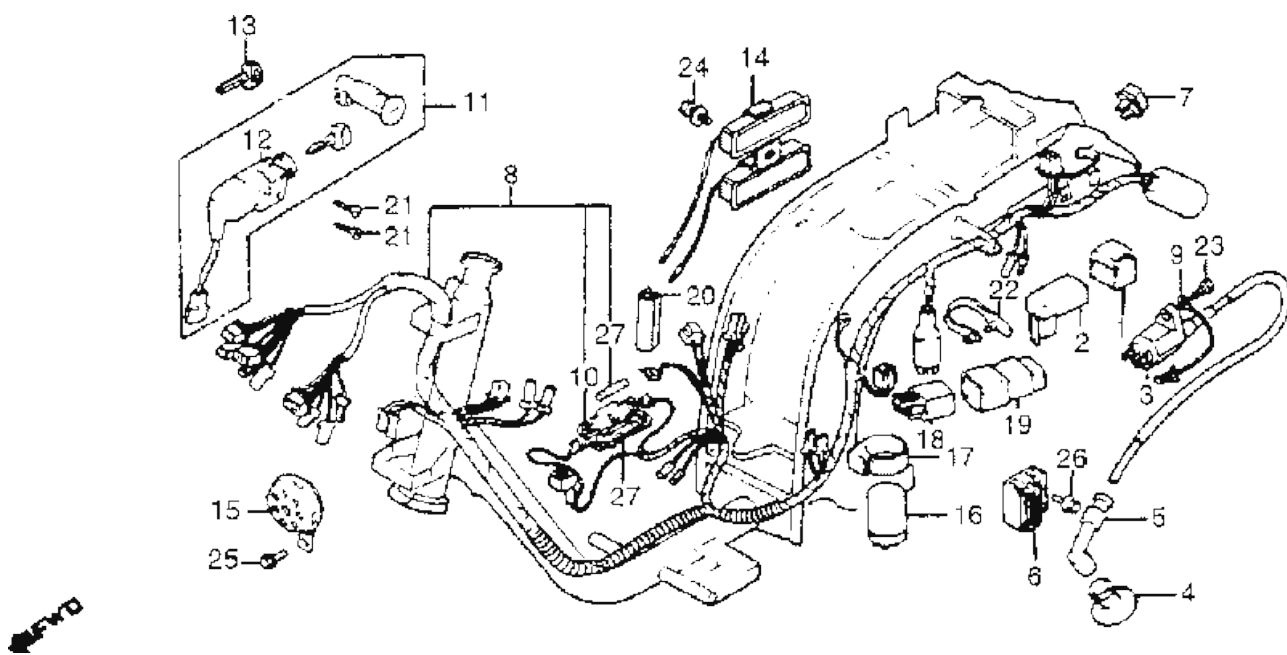
Turn Signal



#	DESC	GUIDE
1	TURN SIGNAL, R. FR.	\$23.22
2	LENS, R. FR.	\$6.21
3	BASE COMP., R. FR.	\$21.05
4	TURN SIGNAL, L. FR.	\$16.53
5	LENS, L. FR.	\$5.76
6	BASE COMP., L. FR.	\$15.83
7	TURN SIGNAL, R. RR.	\$35.83
8	LENS, RR.	\$16.22
9	BASE COMP., R. RR.	\$35.91
10	CLIP, R. RR.	\$5.49
11	STAY, R. RR.	\$22.42
12	STAY, L. RR.	\$22.42
13	CLIP, L. RR.	\$4.76
14	TURN SIGNAL, L. RR.	\$35.83
15	BASE COMP., L. RR.	\$30.72
16	BULB (12V 23W)	\$1.67
17	SCREW, TAP (4X30)	\$0.29
18	SCREW, TAP (4X12)	\$0.40
19	SCREW, TAP (4X30)	\$0.29
20	BOLT, FLANGE (6X12)	\$0.55

[BACK TO CONTENTS](#)

Wire Harness & Ignition Coil



#	DESC	GUIDE
1	SUSPENSION	\$5.87
2	MODULE, IGN CONT	\$94.02
3	COIL COMP., IGNITION	\$50.13
4	SEAL, COIL	\$6.07
5	CAP ASSY.	\$19.24
5	CAP SET	\$19.24
6	RECTIFIER, REGULATOR	\$134.76
7	RECTIFIER, SILICON	\$17.42
8	WIRE HARNESS	\$139.47
9	SUB-CABLE A	\$4.02
10	CASE, FUSE CONNECTOR	\$4.24
11	LOCK SET	\$58.69
12	SWITCH ASSY.	\$42.07
13	KEY, BLANK (TYPE1)	\$6.40
13	KEY, BLANK (TYPE2)	\$6.40
14	RESISTOR COMP.	\$40.69
15	HORN COMP. (LOW)	\$68.38
16	RELAY, TURN SIGNAL	\$26.09
17	SUSPENSION	\$4.35
18	RELAY COMP., STARTER	\$39.15
19	SUSPENSION	\$4.75
20	TRIM, OPENING	\$3.64
21	SCREW (6X12)	\$1.05
22	STRAP C, CABLE	\$1.27
23	BOLT, HEX. (5X18)	\$0.43
24	BOLT-WASHER (6X12)	\$0.72
25	BOLT, FLANGE (6X10)	\$0.65
26	BOLT, FLANGE (6X20)	\$0.52
27	FUSE A (7A)	\$0.56

[BACK TO CONTENTS](#)

References

CMSNL.COM ONLINE PARTS STORE

http://www.cmsnl.com/nh125-84-aero-125-us_model1169/partslist/

POWERSPORTSPRO.COM PARTSFISH

<http://www.powersportspro.com/Partsfish/displayfiche.asp?new=1&ID=249>

Notes